

Y-Strainer threaded, article 696-VA

Diameter G 1/2" up to G 2"

Completely in stainless steel, can be used up to a maximum operating pressure of 50,0 bar. The arrow cast in the housing shows the direction of flow direction.

With drain plug in the cover. The screen can be easily removed for cleaning by unscrewing the cover (item 5).

☛ **Connection on both sides with internal thread according to ISO 228-1**

☛ **Screen mesh size 1.0 mm (for all nominal sizes)**

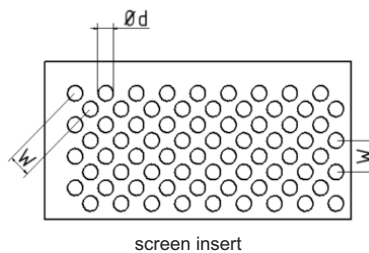
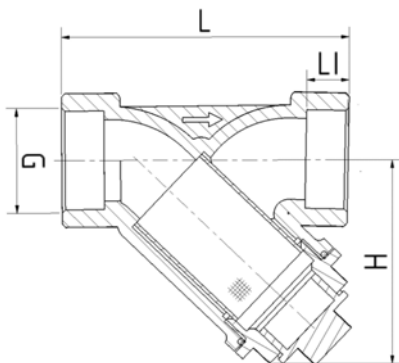
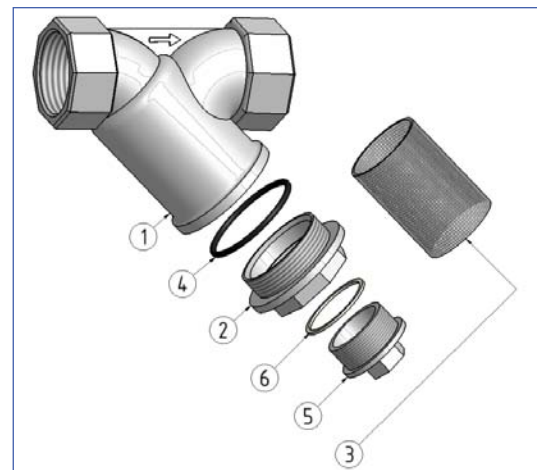
It is recommended to clean the screen insert when the pressure increases by 400 mbar.



	Ambient -20°C ... +80°C
	Medium -20°C ... +200°C

Article 696-VA

Pos.	Description	Material
1	body	stainless steel AISI 316
2	cover	stainless steel AISI 316
3	screen	stainless steel AISI 316L
4	cover seal	PTFE
5	drain plug	stainless steel AISI 316
6	drain plug seal	PTFE



Diameter	article-no.:		L (mm)	LI (mm)	H (mm)	W (mm)	mesh size Ød (mm)	design pressure (bar)	weight (kg)
	696-VA	stainless steel							
G 1/2"	22.7229.6.63		65	12,85	46,5	2	1,0	50	0,240
G 3/4"	22.7229.6.65		80	13,45	54,0	2	1,0	50	0,360
G 1"	22.7229.6.67		90	17,50	67,0	2	1,0	50	0,690
G 1 1/4"	22.7229.6.68		105	20,20	74,0	2	1,0	50	0,860
G 1 1/2"	22.7229.6.69		120	22,15	81,5	2	1,0	50	1,021
G 2"	22.7229.6.71		140	24,65	95,0	2	1,0	50	1,880