

## Switchbox, article 55-ES with mechanical switches

Compact limit switch box made of polyamide PA6 for direct mounting on pneumatic actuators with connection interface according to VDI / VDE 3845, or NAMUR. Very low mounting height, since a mounting bridge is not required. With two quality microswitches (N.O. / N.C. SPDT), **make Cherry, type D44X** for the position indication "OPEN" and "CLOSE", wired to a 6-fold terminal block. Cover with 2D in-site display.

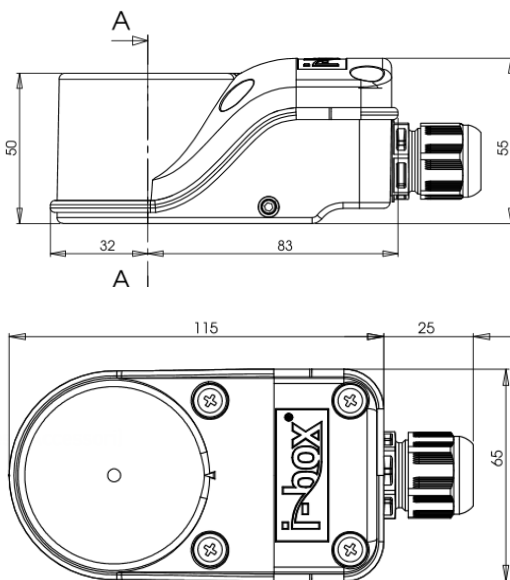
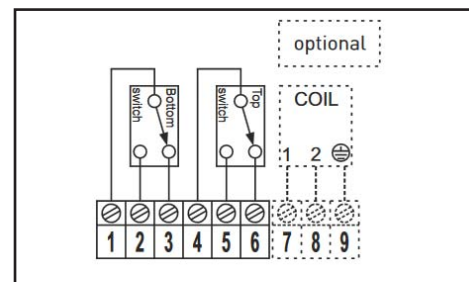
- Voltage up to max 250 V AC/DC
- max. current 10,0 A (AC 250 V)  
2,5 A (24 V DC)
- Protection class IP 67
- Cable gland M20 x 1,5 black
- Cable diameter 6,0 mm - 12,0 mm
- Terminal block 6-fold up to 2,5 mm<sup>2</sup>
- Switching cam adjustable
- Temperature range -25° C up to +80° C
- SIL-Level 1 - 3
- Contact material silver



technical switch N.O. / N.C. SPDT  
Fabr. Cherry, Typ D44X

article-description:	order-No.:
55-ES	184.8766

### Connection plan



### article 55-ES

Pos.	description	material
1	housing base	polyamide PA6
2	housing cover	polycarbonate, transparent
3	sealings	TPE and NBR
4	operating shaft	stainless steel 1.4305
5	switch cams	plastic
6	terminal block	6-fold up to 2,5 mm <sup>2</sup>
7	cable gland	M20 x 1
8	screws	stainless steel A2

### Variants for switchbox 55-ES

Solenoid valve connection  
(1-spool)



3-way position indicator



M12 connector  
5-pin male

