

2-way ball-valve, series "Basic Line" Article 418-MS, 418-MS FG Article 418-MS I/A, 418-MS I/A FG

Diameter G 1/8" up to G 4"

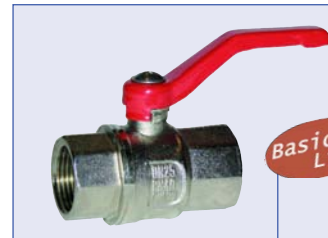
Full-bore threaded ball valve **-heavy duty designed-** for industrial use. Stem seal adjustable via pressure screw.
Suitable for neutral gaseous and liquid media (no steam).

- housing outside nickel-plated

Available as standard in two versions:

- long female thread on both sides acc. to ISO 7 /DIN EN 10226
- long female-/male thread acc. to ISO 7 /DIN EN 10226

Optional: up to size G 1 1/4" optionally also operating by T-handle

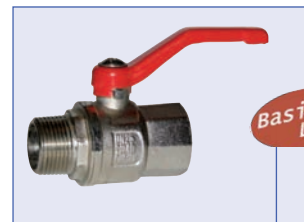


418-MS

Basic Line



418-MS-FG
with T-handle up to G 1 1/4"



418-MS I/A

Basic Line



418-MS I/A FG
with T-handle up to G 1 1/4"

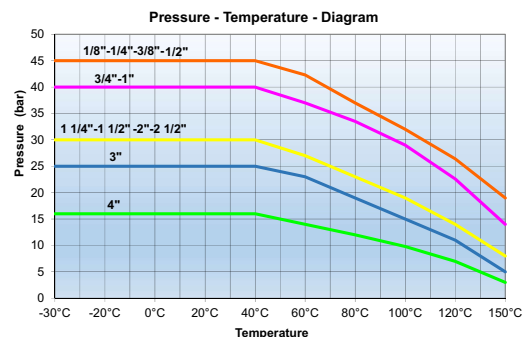
| | | |
|--|---------|--------------------|
| | Ambient | -15° C ... +60° C |
| | Medium | -30° C ... +150° C |

Optional accessories:

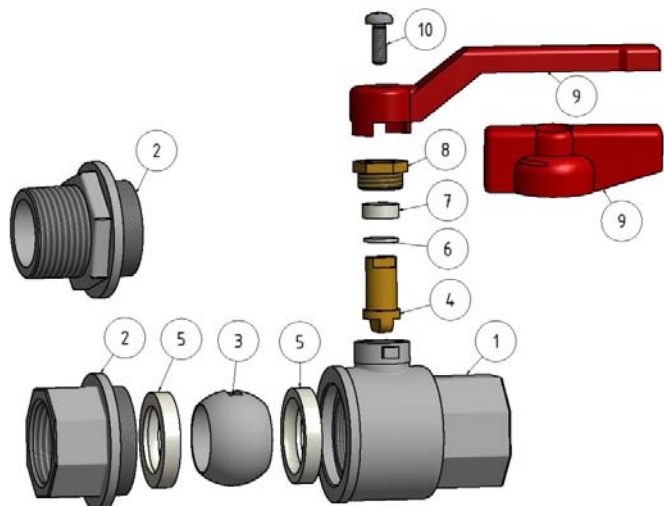
Shaft extension for insulation purposes



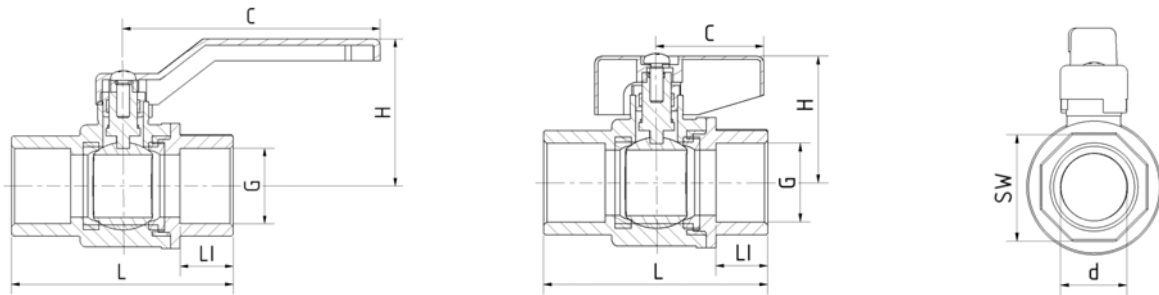
lockable handle



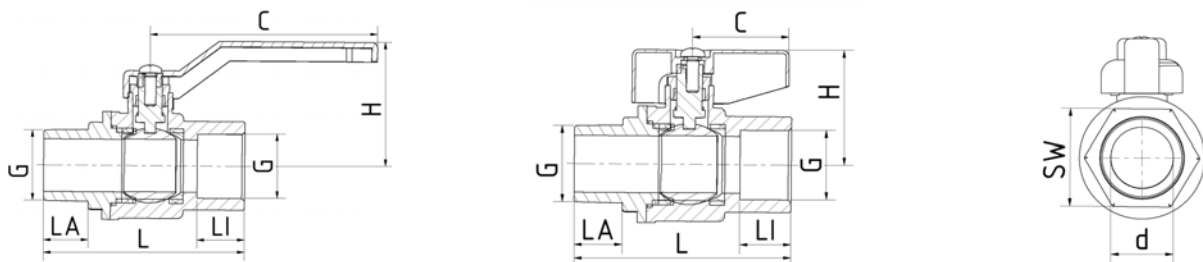
| Pos. | Description | Material |
|------|----------------|-----------------------------|
| 1 | Body | Brass CW 617N nickel-plated |
| 2 | Threaded end | Brass CW 617N nickel-plated |
| 3 | Ball | Brass CW 617N chrome plated |
| 4 | Stem | Brass CW 614N |
| 5 | Ball seal | PTFE-profile shells |
| 6 | Thrust washer | PTFE |
| 7 | Thrust ring | PTFE |
| 8 | Pressure screw | Brass |
| 9 | Lever | Steel, red |
| 10 | Lever screw | Stainless steel 1.4301 |



2-way ball-valve, series "Basic Line" Article 418-MS, 418-MS FG Article 418-MS I/A, 418-MS I/A FG



| Diameter | Article-no.: | | | Article-no.: | | | | | | Kv-Value | Pressure rating max (bar) | Weight (kg) | |
|----------|--------------|--------|--------|--------------------|--------|--------|--------|---------|---------|----------|---------------------------|-------------|--------|
| | 418-MS Lever | H (mm) | C (mm) | 418-MS/FG T-handle | H (mm) | C (mm) | L (mm) | LI (mm) | SW (mm) | | | | d (mm) |
| G 1/8" | 15.3964.0.60 | 42 | 83 | 15.3964.0.60-FG | 36 | 31 | 46 | 5 | 19 | 9 | 3,2 | 50 | 0,17 |
| G 1/4" | 15.3964.0.61 | 42 | 83 | 15.3964.0.61-FG | 36 | 31 | 46 | 8 | 19 | 9 | 3,8 | 50 | 0,19 |
| G 3/8" | 15.3964.0.62 | 43 | 83 | 15.3964.0.62-FG | 37 | 31 | 48 | 8 | 22 | 11 | 6,5 | 50 | 0,22 |
| G 1/2" | 15.3964.0.63 | 46 | 83 | 15.3964.0.63-FG | 39 | 31 | 58 | 11 | 26 | 15 | 14,0 | 50 | 0,26 |
| G 3/4" | 15.3964.0.65 | 49 | 83 | 15.3964.0.65-FG | 43 | 31 | 69 | 13 | 32 | 20 | 31,0 | 50 | 0,32 |
| G 1" | 15.3964.0.67 | 66 | 90 | 15.3964.0.67-FG | 53 | 43 | 82 | 16 | 40 | 25 | 45,0 | 50 | 0,58 |
| G 1 1/4" | 15.3964.0.68 | 68 | 110 | 15.3964.0.68-FG | 66 | 50 | 97 | 17 | 48 | 32 | 80,0 | 40 | 0,82 |
| G 1 1/2" | 15.3964.0.69 | 81 | 130 | - | - | - | 107 | 18 | 56 | 40 | 120,0 | 40 | 1,28 |
| G 2" | 15.3964.0.71 | 110 | 190 | - | - | - | 131 | 21 | 70 | 50 | 215,0 | 40 | 2,28 |
| G 2 1/2" | 15.3964.0.72 | 132 | 240 | - | - | - | 155 | 25 | 96 | 63 | | 40 | 3,80 |
| G 3" | 15.3964.0.73 | 141 | 240 | - | - | - | 178 | 29 | 102 | 76 | | 40 | 5,60 |
| G 4" | 15.3964.0.75 | 160 | 240 | - | - | - | 218 | 32 | 125 | 100 | | 16 | 10,04 |



| Diameter | Article-no.: | | | Article-no.: | | | | | | Kv-Value | Pressure rating max (bar) | Weight (kg) | | |
|----------|------------------|--------|--------|------------------------|--------|--------|--------|---------|---------|----------|---------------------------|-------------|---------|--------|
| | 418-MS I/A Lever | H (mm) | C (mm) | 418-MS I/A FG T-handle | H (mm) | C (mm) | L (mm) | LI (mm) | LA (mm) | | | | SW (mm) | d (mm) |
| G 3/8" | 15.3951.0.62 | 43 | 83 | 15.3951.0.62-FG | 37 | 31 | 49 | 11,0 | 11,0 | 27 | 11 | 6,5 | 40 | 0,17 |
| G 1/2" | 15.3951.0.63 | 45 | 83 | 15.3951.0.63-FG | 39 | 31 | 62 | 12,0 | 12,5 | 30 | 15 | 14,0 | 40 | 0,20 |
| G 3/4" | 15.3951.0.65 | 49 | 83 | 15.3951.0.65-FG | 42 | 31 | 74 | 14,5 | 14,5 | 32 | 20 | 31,0 | 40 | 0,24 |
| G 1" | 15.3951.0.67 | 65 | 90 | 15.3951.0.67-FG | 53 | 43 | 88 | 17,0 | 16,5 | 40 | 25 | 45,0 | 40 | 0,54 |
| G 1 1/4" | 15.3951.0.68 | 68 | 110 | 15.3951.0.68-FG | 66 | 50 | 97 | 18,5 | 19,5 | 48 | 32 | 80,0 | 40 | 0,82 |
| G 1 1/2" | 15.3951.0.69 | 81 | 130 | - | - | - | 106 | 20,0 | 21,0 | 56 | 40 | 120,0 | 40 | 1,18 |
| G 2" | 15.3951.0.71 | 110 | 190 | - | - | - | 131 | 23,0 | 22,1 | 68 | 50 | 215,0 | 40 | 2,04 |

418-MS_418-MS-I/A_2021_ENG_Rev.0