

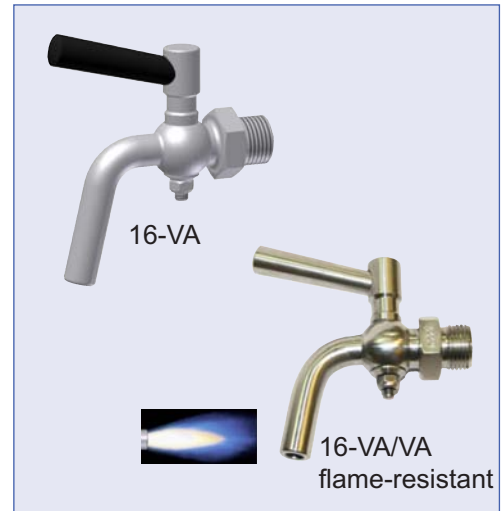
Drain cock (sampling tap), article 16-VA and 16-VA/VA

diameter G 1/8" up to G 1"

Design as tap for all industrial areas of applications.
Useable for many fluid groups. Totally made of stainless steel 1.4571. Pure metallic sealing by choke closure.

One side male thread acc. to DIN/ISO 228, metric.

Article 16-VA-VA is flame-resistant up to +250 °C for a short time! For sampling in drinking water systems acc. to DVGW data sheet W551.

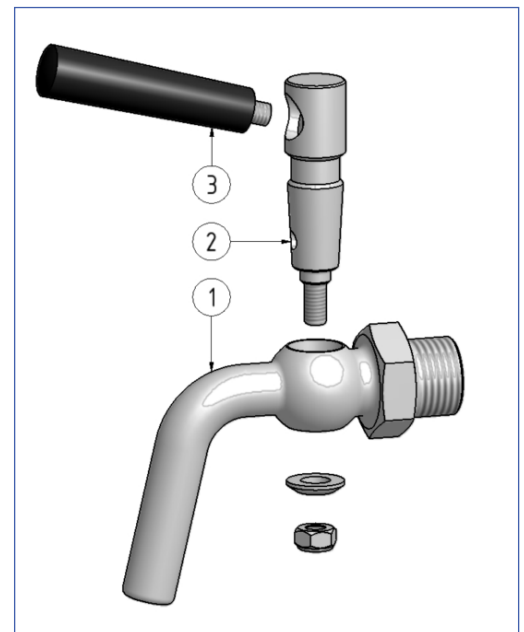
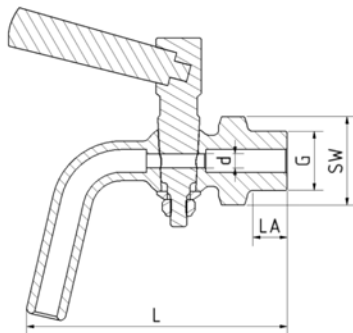


	ambient -50°C ... +130°C
	medium -20°C ... +80°C

Before risk of frost empty the drain cock and ensure that the drain cock is depressurized. Freezing of the fluid may can seriously damage the valve.

Article 16-VA and 16-VA/VA

Pos.	Description	16-VA Material	16-VA/VA Material
1	body	stainless steel 1.4571	stainless steel 1.4571
2	stem	stainless steel 1.4571	stainless steel 1.4571
3	handle	polyamide	stainless steel 1.4571 (flame-resistant)



diameter	article no.		weight (kg)	article no.		L (mm)	LA (mm)	SW (mm)	d (mm)	pressure rating (bar)
	16-VA handle polyamide			16-VA/VA (flame-resistant) handle stainless steel						
G 1/8"	06.3417.6.60	0,15	06.3417.6.60-VA	0,13	55	10	19	2,5	6	
G 1/4"	06.3417.6.61	0,15	06.3417.6.61-VA	0,14	65	10	22	2,5	6	
G 3/8"	06.3417.6.62	0,15	06.3417.6.62-VA	0,18	71	12	22	4,0	6	
G 1/2"	06.3417.6.63	0,34	06.3417.6.63-VA	0,32	85	14	27	5,0	6	
G 3/4"	06.3417.6.65	0,40	06.3417.6.65-VA	0,46	104	16	32	8,5	6	
G 1"	06.3417.6.67	0,65	06.3417.6.67-VA	0,93	129	20	41	9,0	6	

16-VA_16-VA/VA_ENG_2021_Rev.0