

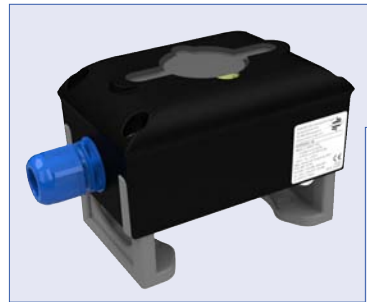
Switchbox, article 54-ES with inductive proximity switches

Compact and flexible limit switch box made of conductive vestamide with transparent sight window made of polycarbonate for pneumatic actuators with connection interface in accordance with VDI / VDE 3845, or NAMUR. With two intrinsically safe, inductive proximity switches (Normally open N.C.), **make IFM type NS5002** for the position indication "OPEN" and "CLOSE", wired to a 4-fold terminal block. Lid with 2D in-site display.

- Voltage 8,2 V DC
- current consumption (measuring plate) $\leq 1,0$ mA / $\geq 2,1$ mA not recorded recorded
- Frequency 800 Hz
- ATEX Ex-protection II 2 G Ex ia IIC T6 Gb
II 2 D Ex ia IIIC T80°C Db
- Ex-zone zone 1, zone 21
- Protection class IP 67
- Cable gland M20 x 1,5 blue
- Cable diameter 6,0 mm - 12,0 mm
- Terminal block 4-fold up to 2,5 mm²
- Switching cam adjustable
- Temperature range -25° C up to +70° C



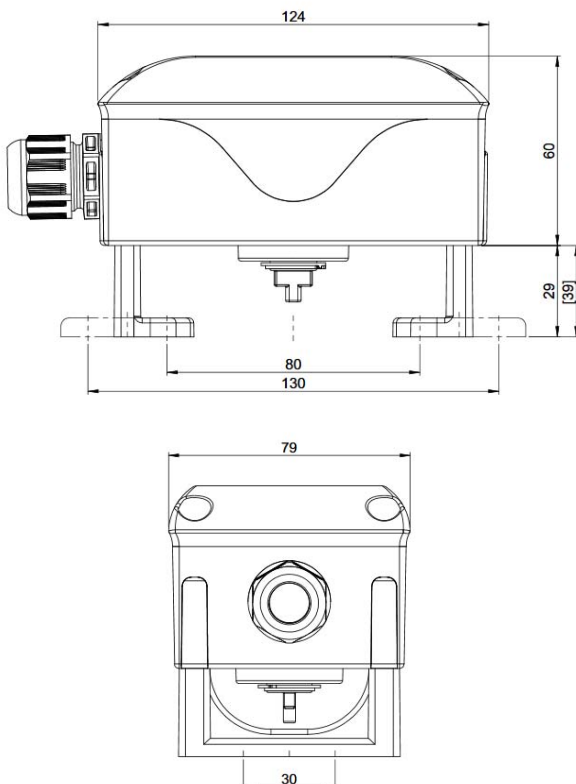
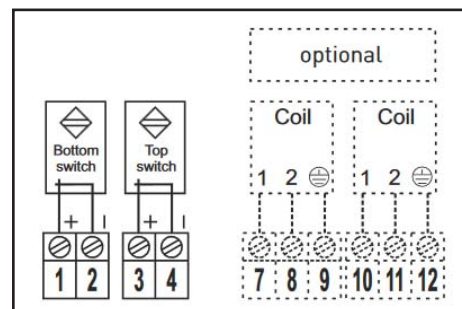
For the own safety



Inductive proximity switches
make IFM, Type NS5002

article-description:	order-No.:
54-ES	184.8726

Connection plan



article 54-ES

Pos.	description	material
1	housing base	Vestamide, conductive
2	sight window	Polycarbonate, transparent
3	sealings	EPDM and NBR
4	operating shaft	polyamide PA6
5	switch cams	plastic
6	mounting bracket	polyamide (PA6) + 30% glass fiber
7	terminal block	4-fold up to 2,5 mm ²
8	cable gland	M20 x 1 blue
9	screws	stainless steel A2

mounting bracket (adjustable)

- drilling pattern: 80 x 30 mm or 130 x 30 mm
- shaft height: 20,0 mm or 30,0 mm

Switchbox, article, 54-ES with inductive proximity switches

Variants of limit switch housing



bracket and shaft stainless steel
order-no.: 184.8726-E



Switch housing aluminum
bracket and shaft stainless steel
order-no.: 184.8726-AL

Options for the limit switch box



Solenoid valve connection
1 spool
order-no.: 184.8726-MA



Large 3D display
in the lid
OPEN / CLOSED
order-no.: 184.8726-D31



M12 connector
5-pin male
order-no.: 184.8726-M12



thread connection
NPT 1/2
order-no.: 184.8726-NPT



Pressure compensation
element avoidance of
condensation water
order-no.: 184.8726-DAE

