

High pressure needle valve, article 71-VA and 72-VA cutting ring connection 6 up to 12 (light & heavy duty series)

High pressure shut-off valve with adjustable gland packing for use in industrial systems, in which flowing liquids or gaseous media have to be shut off. This can also be done under high pressure. The direction is indicated by an arrow.

Please observe the pressure reduction from temperatures over +50 °C !

☞ **Article 71-VA both sides cutting ring connection acc. to EN ISO 8434-1 (DIN 2353), light duty series (PN 315)**

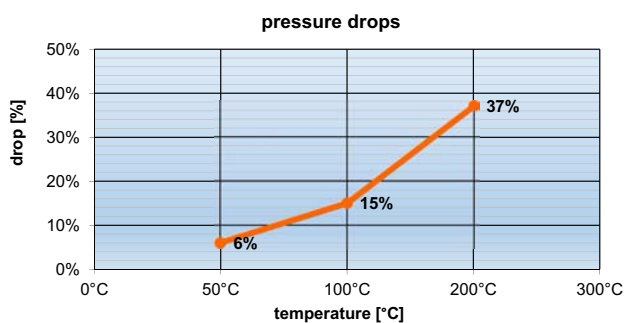
☞ **Article 72-VA both sides cutting ring connection acc. to EN ISO 8434-1 (DIN 2353), heavy duty series (PN 400)**



	ambient	-20°C .. +60°C
	medium	-40°C .. +250°C special packing up to +550 °C

Before risk of frost empty the valve and ensure that the valve is depressurized. Freezing of the fluid may seriously damage the valve.

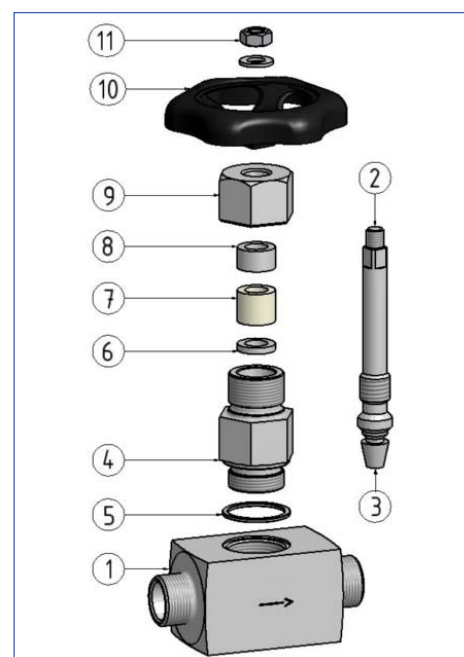
diagram pressure drops



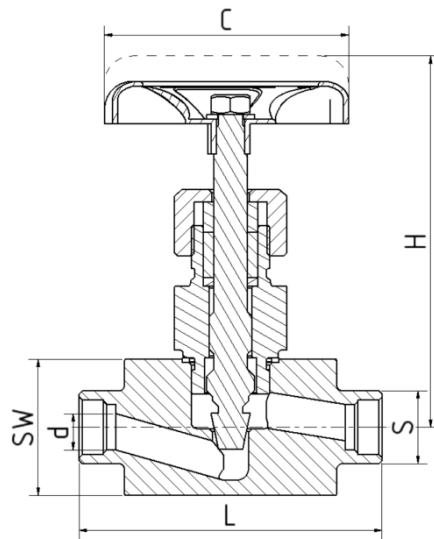
temperature	pressure drop %	max. pressure article 71-VA (PN 315)	max. pressure article 72-VA (PN 400)
50° C	6%	296,10 bar	376,0 bar
100° C	15%	267,75 bar	340,0 bar
200° C	37%	198,45 bar	252,0 bar

Article 71-VA and 72-VA

Pos.	description	material
1	body	stainless steel 1.4571
2	stem	stainless steel 1.4571
3	regulating disc	stainless steel 1.4571
4	head piece	stainless steel 1.4571
5	sealing ring	stainless steel 1.4571
6	lower gland	stainless steel 1.4571
7	gland packing	Teflon (adjustable)
8	upper gland	stainless steel 1.4571
9	union nut	stainless steel 1.4571
10	hand wheel	pressed plastic
11	hand wheel nut	



High pressure needle valve, article 71-VA and 72-VA
cutting ring connection 6 up to 12 (light & heavy duty series)



	article number	L (mm)	H (mm)	SW (mm)	C (mm)	d (mm)	pressure rating (bar)	Kv-value [m³/h]	weight (kg)
cutting ring connection S	71-VA light duty serie								
6L	06.1307.6.81-L	60	72	25	50	4	315	0,33	0,31
8L	06.1307.6.82-L	60	72	25	50	5	315	0,42	0,31
10L	06.1307.6.83-L	60	72	25	50	6	315	0,53	0,31
12L	06.1307.6.84-L	60	72	25	50	6	315	0,53	0,42
cutting ring connection S	72-VA heavy duty serie								
6S	06.1307.6.81-S	60	72	25	50	4	400	0,33	0,31
8S	06.1307.6.82-S	60	72	25	50	5	400	0,42	0,31
10S	06.1307.6.83-S	60	72	25	50	6	400	0,53	0,31
12S	06.1307.6.84-S	60	72	25	50	6	400	0,53	0,42

71-VA, 72-VA_ENG_2021_Rev. 0