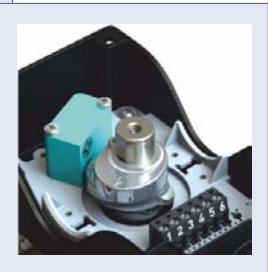
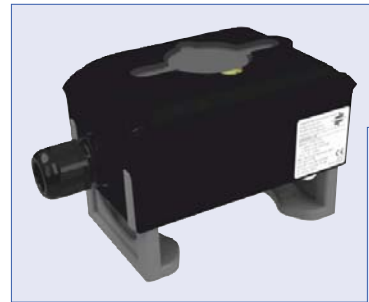


Switchbox, article 69-ES with inductive proximity switches



Ex t Switch
(Protection by housing)



Compact and flexible limit switch box made of conductive vestamide with sight window made of transparent polycarbonate for pneumatic actuators with connection diagram in accordance with VDI / VDE 3845, or NAMUR. With two inductive proximity switches (Ex t), **make P+F type NBB2-V3-E2-3G-3D** (PNP N.O.) for the position indication "OPEN" and "CLOSE", wired to a 6-fold terminal block. Lid with optical 2D on-site display.

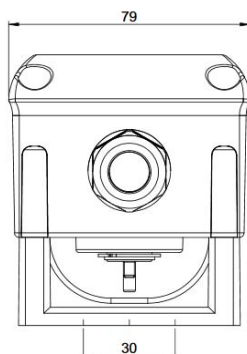
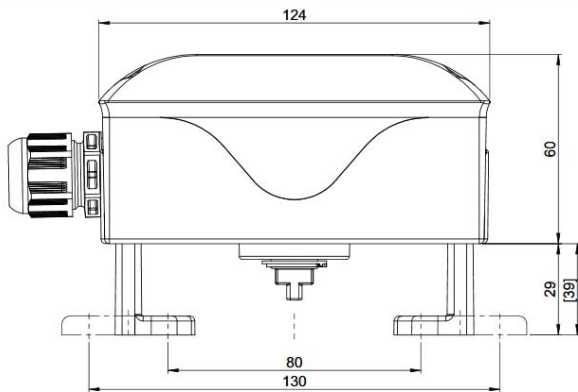
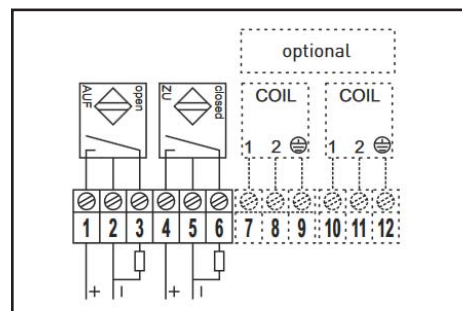
- Voltage max. current 10 V - 30 V DC
- Frequency 1000 Hz
- Current consumption 100 mA
- ATEX Ex-protection II 3 D Ex nA IIC
- Ex-zone zone 2, zone 21 and zone 22
- Protection class IP 67
- Cable gland M20 x 1,5 black
- Cable diameter 5,5 mm - 13,0 mm
- Terminal block 6-fold up to 2,5 mm²
- Switching cam adjustable
- Temperature range -25° C up to +40° C



inductive proximity switches
make P+F, type NBB2-V3-E2-3G-3D

article-description:	order-No.:
69-ES	184.8791

Connection plan



article 69-ES

Pos.	description	material
1	housing base	Vestamide, conductive
2	sight window	Polycarbonate, transparent
3	sealings	EPDM and NBR
4	operating shaft	polyamide PA6
5	switch cams	plastic
6	mounting bracket	polyamide (PA6) + 30% glass fiber
7	terminal block	4-fold up to 2,5 mm ²
8	cable gland	M20 x 1 blue
9	screws	stainless steel A2

mounting bracket (adjustable)

- drilling pattern: 80 x 30 mm and
130 x 30 mm

- shaft height: 20 mm and
30 mm

Switchbox, article 69-ES with inductive proximity switches

Variants of limit switch housing



bracket and shaft stainless steel
order-no.: 184.8791-E



Switch housing aluminum
bracket and shaft stainless steel
order-no.: 184.8791-AL

Options for the limit switch box



large 3D display
in the lid
OPEN / CLOSED
order-no.: 184.8791-D31



M12 connector
5-pin male
order-no.: 184.8791-M12



thread connection
NPT 1/2
order-no.: 184.8791-NPT



Pressure compensation
element avoidance of
condensation water
order-no.: 184.8791-DAE

