

Pressure reducing valves, article 237-RG

Diameter DN 20 up to DN 80

Pressure reducers find their application in piping systems where despite different pressures or pressure fluctuations at the input side a constant pressure on the output side is to be maintained.

This series of pressure reducers is suitable for liquid media and used as well as for air, gases and technical vapors.

The pressure setting can be performed without special tool via the spindle.

The extremely low pressure drop in the norm working range means a hardly perceptible loss of performance.

The flow direction is marked by the arrow on the body. On both sides shutter screw G 1/4 " for manometer-connection.

Connections

both sides flange according to DIN EN 1092-2, pressure range PN 16 / 40 (Diameter dependent).



DN 20



DN 80

	Compliant with pressure equipment directive 97/23/EG
	up to 6 bar DVGW drinking water according to DIN 1988 authorized
	ambient - 5° C ... +60° C
	medium -10° C ... +95° C

valve design:

m with diaphragm	High-quality, heat-resistant moulded elastomere, fabric-reinforced diaphragm. Adjustment by means of non-rising spindle. Insert with balanced single seat valve DN 20 up to DN 50 made of gunmetal and stainless steel, DN 65 up to DN 100 completely made of stainless steel. Built in dirt trap made of stainless steel. Mesh size: DN 15 up to DN 32 0.60 mm, DN 40 up to DN 100 0.75 mm
-------------------------	---

medium:

GF gaseous and liquid	for water, neutral and non-sticking liquids, compressed air and neutral gases; optionally with FPM elastomere seals for non-neutral media i.e. oils, fuels, oil-laden compressed air, etc..
------------------------------	---

outlet pressure ranges:

SP Standard version	Inlet pressure up to 16 bar (PN 16) or 40 bar (PN 40)	outlet pressure from 1,0 to 8,0 bar
HP High-pressure version (not for DN 65, DN 80 and DN 100)	Inlet pressure up to 16 bar (PN 16) or 40 bar (PN 40)	outlet pressure from 5,0 to 15,0 bar
LP Low-pressure version (not for DN 65, DN 80 and DN 100)	Inlet pressure up to 16 bar (PN 16) or 25 bar (PN 40)	outlet pressure from 0,5 to 2,0 bar

standard sealing materials:

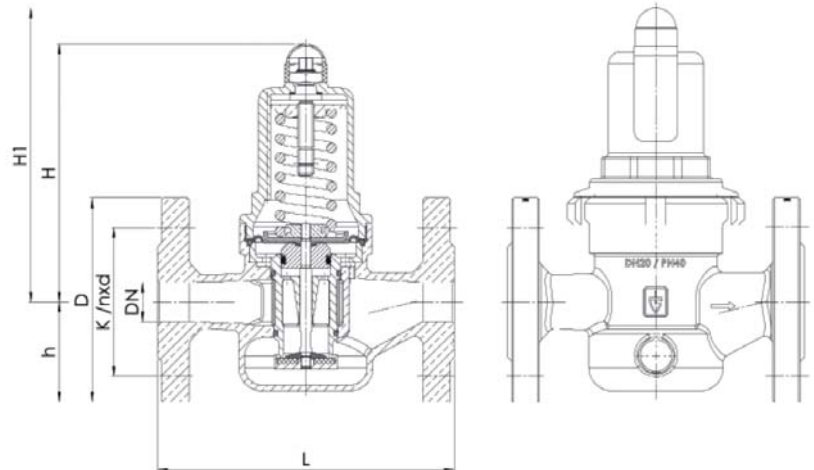
EPDM (E) Ethylene-propylene-diene	Elastomere-shaped seal with metallic support up to 25 bar	-10°C bis +95°C
(Against surcharge) FKM (V) Fluorcarbon	Elastomere-shaped seal with metallic support up to 25 bar	-10° C bis +95°C

237-RG_ENG_2017_Rev.0

Pressure reducing valves, article 237-RG

Diameter DN 20 up to DN 80

article 237-RG	
description	material
inlet body	gunmetal CC499K
outlet body	gunmetal CC499K
inner parts	gunmetal CC499K, brass CW614N, stainless steel 1.4404
seal	EPDM
pressure spring	spring steel 1.1200 with anti rust protection
strainer	stainless steel 1.4301
optionally	with FKM elastomer seal for not neutral media



standard design: inlet pressure up to 16 bar / 40 bar

order no.											
diameter	237-RG/SP gunmetal	L (mm)	H (mm)	h (mm)	D (mm)	K /nxd	Kv-value [m³/h]	max. power water [m³/h]	Inlet pressure (bar)	outlet pressure (bar)	weight (kg)
DN 20	19.5006.1.13-SP	150	130	50	105	75 /4xM12	4,5 - 5,0	10	16,0 / 40,0	1 - 8	4,2
DN 25	19.5006.1.15-SP	160	130	55	115	85 /4xM12	6,2 - 7,8	16	16,0 / 40,0	1 - 8	4,7
DN 32	19.5006.1.18-SP	180	130	68	140	100 /4xM16	8,7 - 9,6	18	16,0 / 40,0	1 - 8	5,9
DN 40	19.5006.1.19-SP	200	165	73	150	110 /4xM16	12,0 - 14,0	30	16,0 / 40,0	1 - 8	8,6
DN 50	19.5006.1.21-SP	230	165	80	165	125 /4xM16	14,5 - 19,0	35	16,0 / 40,0	1 - 8	10,5
DN 65	19.5006.1.24-SP	290	235	89	185	145 /8xM16	30,0 - 47,0	60	16,0	1 - 8	20,0
DN 80	19.5006.1.25-SP	310	235	96	200	160 /8xM16	44,0 - 60,0	68	16,0 / 40,0	1 - 8	22,0

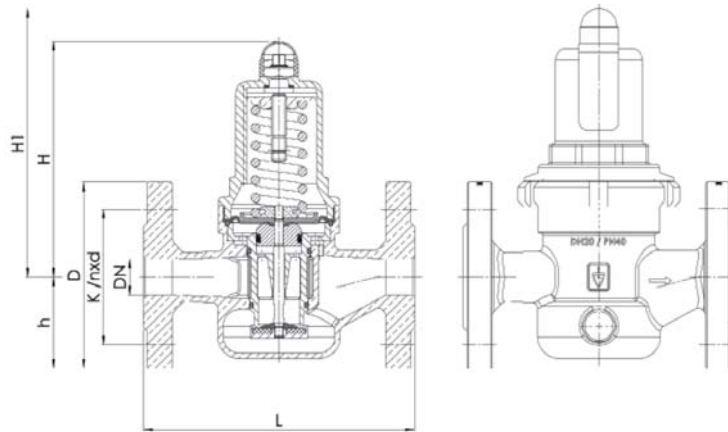
high-pressure design: inlet pressure up to 16 bar

order no.											
diameter	237-RG/HP gunmetal	L (mm)	H (mm)	h (mm)	D (mm)	K /nxd	Kv-value [m³/h]	max. power water [m³/h]	outlet pressure (bar)	mesh size strainer (mm)	weight (kg)
DN 20	19.5006.1.13-HP	150	130	50	105	75 /4xM12	4,5 - 5,0	10	5 - 15	0,60	4,2
DN 25	19.5006.1.15-HP	160	130	55	115	85 /4xM12	6,2 - 7,8	16	5 - 15	0,60	4,7
DN 32	19.5006.1.18-HP	180	130	68	140	100 /4xM16	8,7 - 9,6	18	5 - 15	0,60	5,9
DN 40	19.5006.1.19-HP	200	165	73	150	110 /4xM16	12,0 - 14,0	30	5 - 15	0,75	8,6
DN 50	19.5006.1.21-HP	230	165	80	165	125 /4xM16	14,5 - 19,0	35	5 - 15	0,75	10,5

237-RG_ENG_2017_Rev.0

Pressure reducing valves, article 237-RG

Diameter DN 20 up to DN 80

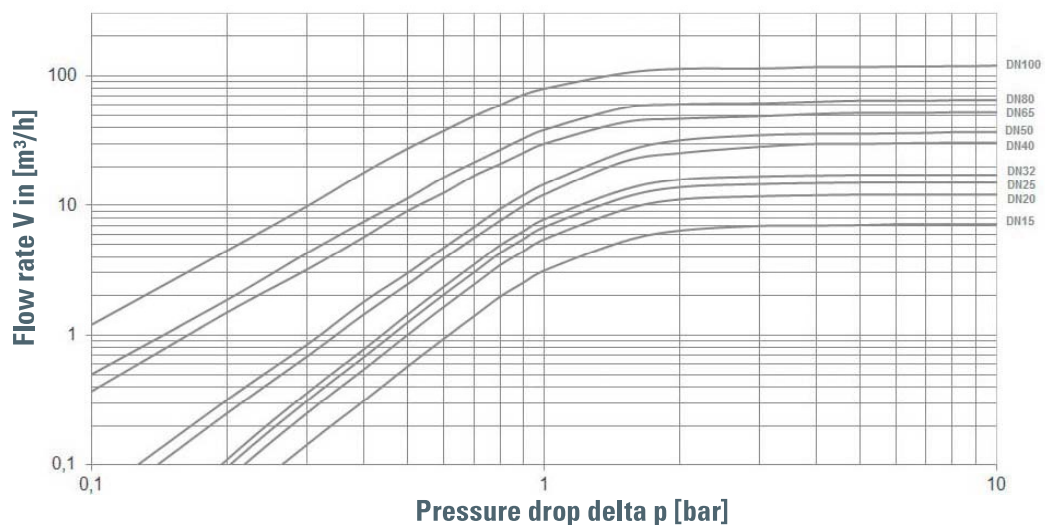


low-pressure design: inlet pressure up to 16 bar

low-pressure design: inlet pressure up to 16 bar											
order no.											
diameter	237-RG/SP gunmetal	L (mm)	H1 (mm)	h (mm)	D (mm)	K /nxd	Kv-value [m ³ /h]	max. power water [m ³ /h]	outlet pressure (bar)	mesh size strainer (mm)	weight (kg)
DN 20	19.5006.1.13-LP	150	150	50	105	75 /4xM12	4,5 - 5,0	10	0,5 - 2	0,60	4,2
DN 25	19.5006.1.15-LP	160	150	55	115	85 /4xM12	6,2 - 7,8	16	0,5 - 2	0,60	4,7
DN 32	19.5006.1.18-LP	180	150	68	140	100 /4xM16	8,7 - 9,6	18	0,5 - 2	0,60	5,9
DN 40	19.5006.1.19-LP	200	185	73	150	110 /4xM16	12,0 - 14,0	30	0,5 - 2	0,75	8,6
DN 50	19.5006.1.21-LP	230	155	80	165	125 /4xM16	14,5 - 19,0	35	0,5 - 2	0,75	10,5

Dimensioning by pressure loss on the outlet side

Flow chart water



237-RG_ENG_2017_Rev.0