

Safety valve, angle type with bellows for fluids, steam and gaseous media

Article 145-RG (twist-type lifting mechanism) and Article 146-RG (lifting lever)

diameter G 1/2" up to G 1 1/4"

TÜV/CE angle type safety valve in extremely compact design. Acc. to the version and sealing the valve can be used for a varied range of applications. As an optional extra, these valves with metal bellows and/or a gastight cap. Consequently, these valve can be configured for applications involving non-neutral, inflammable, toxic and viscous media.

possible connections:

female / female thread (f) BSP-P DIN EN ISO 228-1
external / female thread (m) BSP-P DIN EN ISO 228-1

For the protection of:

- pressure-vessels/ -systems for neutral/non-neutral vapours, gases and liquids
- steam boilers and steam plants
- stationary silos and bulk transport vehicles for liquid and granular goods¹

The appropriate valve design and sealing must be used according to the application.



CE	0036
T °C	ambient -10°C .. +50°C
TSC	medium see sealings

Approvals

TÜV-Type test approval 666, 684	D/G , F , F/K/S ¹
EC type examination	S/G , L , F/K/S ¹
TSG ZF001-2006	D/G (S/G) , F (L) , F/K/S ¹
TR ZU 032/2013 - TR ZU 010/2011	D/G (S/G) , F (L) , F/K/S ¹

Requirements

AD 2000-data sheet A2	DIN EN ISO 4126-1
TRD 421	DGR 2014/68/EU
TRB 801 No. 22 and No. 23 ¹	
¹ only for version with bellows	



twist-type lifting mechanism



lifting lever



gastight cap

Valve version:

s	non-gastight version of spring housing	for neutral media without counter pressure.
b	with bellows	for neutral and non-neutral media and/or counter pressure up to 4 bar. Spring, moving parts and the environment are protected from being affected by the medium.
t	gastight version of spring housing	for neutral and non-neutral media without counter pressure. The environment is protected from being affected by the medium. Only available without lifting device. This version is not available for inlet/outlet 15/15 and 20/20!
tb	gastight version with bellows	for neutral and non-neutral, flammable, toxic and environmentally hazardous media and/or counter pressure up to 4 bar. Spring, moving parts and the environment are protected from being affected by the medium. without lifting device. Double gastight.

Article 145-RG and 146-RG

description	material
inlet body	red brass CC499K
outlet body	red brass CC499K
internal parts	brass CW614N
spring	stainless steel 1.4310
bellows (standard)	bronze CW452K
sealing (standard)	NBR with metallic support
	(see also possible sealing variants)



Standard Seals:

NBR	(P)	Nitrile rubber	Elastomere moulded seal with metallic support up to 25 bar	-30°C to +130°C
EPDM	(E)	Ethylene propylene diene	Elastomere moulded seal with metallic support up to 25 bar	-40°C to +170°C
FKM	(V)	Fluorocarbon	Elastomere moulded seal with metallic support up to 25 bar	-20°C to +200°C
PTFE	(T)	Polytetrafluorethylene	Flat seal up to 25 bar	-60°C to +225°C
PTFE-carbon	(TC)	Polytetrafluorethylene + carbon	Flat seal up to 25 bar	-60°C to +225°C

Article	Sealing variants	Connections
145-RG/	P (NBR)	
146-RG	E (EPDM)	
	V (FKM)	
	T (PTFE)	
	TC (PTFE-carbon)	
		f (female thread)
		m (external/female thread)

example: 19.1618.1.67-Vf

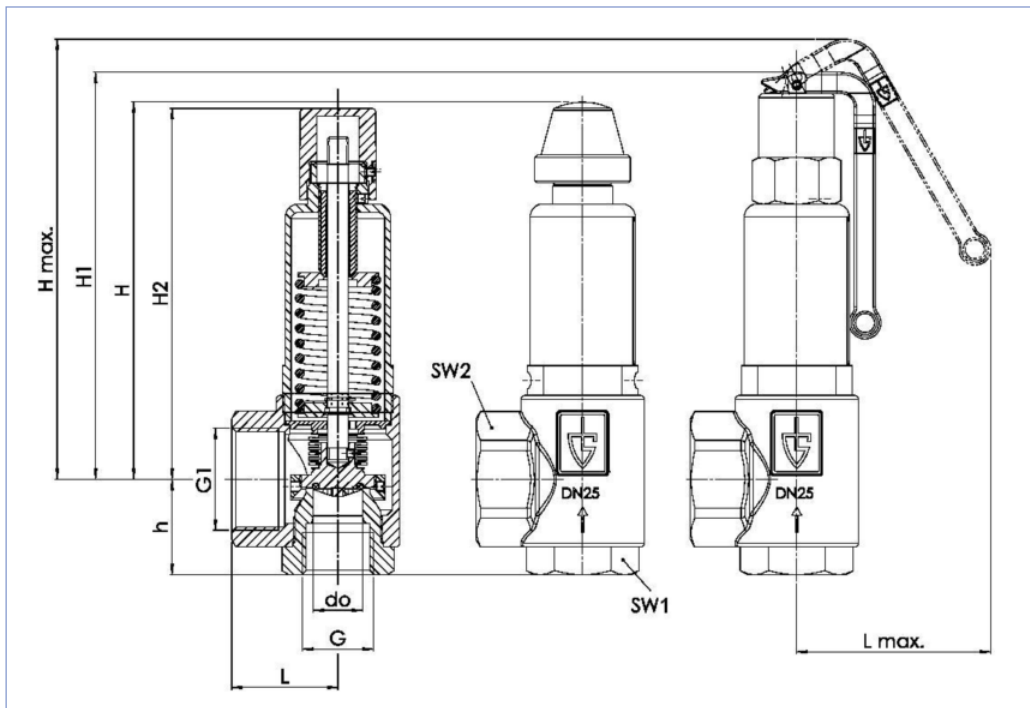
diameter (inlet)	with twist-type lifting mechanism			with lifting lever		
	article number (standard with bellows)					
	145-RG/E EPDM-sealing	145-RG/P NBR-sealing	145-RG/V FKM-sealing	146-RG/E NBR-sealing	146-RG/P PTFE-sealing	146-RG/V EPDM-sealing
G 1/2"	19.1618.1.63-EX	19.1618.1.63-PX	19.1618.1.63-VX	19.1617.1.63-EX	19.1617.1.63-PX	19.1617.1.63-VX
G 3/4"	19.1618.1.65-EX	19.1618.1.65-PX	19.1618.1.65-VX	19.1617.1.65-EX	19.1617.1.65-PX	19.1617.1.65-VX
G 1"	19.1618.1.67-EX	19.1618.1.67-PX	19.1618.1.67-VX	19.1617.1.67-EX	19.1617.1.67-PX	19.1617.1.67-VX
G 1 1/4"	19.1618.1.68-EX	19.1618.1.68-PX	19.1618.1.68-VX	19.1617.1.68-EX	19.1617.1.68-PX	19.1617.1.68-VX

145-RG_146-RG_ENG_2021_Rev.0

Safety valve, angle type with bellows for fluids, steam and gaseous media

Article 145-RG (twist-type lifting mechanism) and Article 146-RG (lifting lever)

diameter G 1/2" up to G 1 1/4"



diameter inlet	outlet G1	L (mm)	L max. (mm)	H (mm)	H1 (mm)	H2 (mm)	H max. (mm)	h (mm)	SW1 (mm)	SW2 (mm)	do (mm)	preset pressure bar	weight (kg)
G 1/2"	1"	40	65	77	91	77	103	30	30	40	15,8	0,5 - 25	0,4
G 3/4"	1 1/4"	43	91	138	158	139	173	39	36	50	18	0,5 - 25	1,0
G 1"	1 1/2"	50	92	178	192	175	207	45	46	58	23	0,5 - 25	1,8
G 1 1/4"	2"	61	92	241	264	241	277	55	55	70	30	0,5 - 25	4,0

145-RG_146-RG_ENG_2021_Rev. 0

Safety valve, angle type with bellows, Article 145-RG (twist-type lifting mechanism) and Article 146-RG (lifting lever)

Performance table:

Blowing-off rates at 10% above set pressure

Blowing-off rates at 10% above set pressure												
Nominal diameter DN		15				20						
Set pressure bar		Bellows				do=15,8			do=18			
		I		II		without		III	I		II	
						with						
						III						
Air I	0,5	56	42	2,3	1,9	64	48	2,9	127	96	5,4	
	1	87	69	3,1	2,5	120	96	4,0	189	151	7,3	
	1,5	113	90	3,8	3,1	166	132	4,9	252	200	9,0	
Nm ³ /h	2	141	111	4,4	3,6	205	161	5,6	316	249	10,4	
	2,5	165	129	5,0	4,0	250	196	6,3	383	300	11,6	
Steam II	3	189	148	5,4	4,4	298	233	6,9	447	349	12,7	
kg/h	3,5	214	166	5,9	4,7	336	262	7,4	504	392	13,7	
	4	238	184	6,3	5,0	375	291	8,0	561	435	14,7	
Water III	4,5	262	203	6,7	5,3	413	319	8,4	618	478	15,6	
m ³ /h	5	286	221	7,0	5,6	451	348	8,9	675	521	16,4	
	5,5	310	239	7,4	5,9	489	377	9,3	732	564	17,2	
	6	335	257	7,7	6,2	527	406	9,7	790	608	18,0	
	6,5	359	275	8,0	6,4	565	434	10,1	847	650	18,7	
	7	383	293	8,3	6,6	604	462	10,5	904	692	19,4	
	7,5	407	311	8,6	6,9	642	491	10,9	961	735	20,1	
	8	431	329	8,9	7,1	680	519	11,3	1018	777	20,8	
	8,5	456	347	9,2	7,3	718	547	11,6	1075	820	21,4	
	9	480	365	9,4	7,5	756	576	11,9	1132	862	22,0	
	9,5	504	383	9,7	7,7	794	604	12,3	1190	905	22,6	
	10	528	401	9,9	7,9	833	632	12,6	1247	947	23,2	
	11	577	437	10,4	8,3	909	688	13,2	1361	1031	24,3	
	12	625	472	10,9	8,7	985	744	13,8	1475	1115	25,4	
	13	674	508	11,3	9,1	1061	801	14,3	1590	1199	26,5	
	14	722	544	11,8	9,4	1138	857	14,9	1704	1284	27,5	
	15	770	580	12,2	9,7	1214	914	15,4	1818	1368	28,4	
	16	819	616	12,6	10,1	1290	970	15,9	1932	1453	29,4	
	17	867	650	13,0	10,4	1367	1025	16,4	2047	1535	30,3	
	18	916	686	13,3	10,7	1443	1081	16,9	2161	1619	31,1	
	19	964	721	13,7	11,0	1519	1137	17,3	2275	1703	32,0	
	20	1013	757	14,0	11,2	1596	1193	17,8	2390	1787	32,8	
	21	1061	793	14,4	11,5	1672	1250	18,2	2504	1872	33,6	
	22	1109	829	14,7	11,8	1748	1306	18,7	2618	1956	34,4	
	23	1158	865	15,1	12,1	1825	1363	19,1	2732	2040	35,2	
	24	1206	900	15,4	12,3	1901	1419	19,5	2847	2125	35,9	
	25	1255	936	15,7	12,6	1977	1475	19,9	2961	2209	36,7	
	26	1303	-	16,0	12,8	2054	-	20,3	3075	-	37,4	
	27	1352	-	16,3	13,1	2130	-	20,7	3190	-	38,1	
	28	1400	-	16,6	13,3	2206	-	21,1	3304	-	38,8	
	29	1449	-	16,9	13,5	2283	-	21,4	3418	-	39,5	
	30	1497	-	17,2	13,8	2359	-	21,8	3532	-	40,2	
	32	1594	-	17,8	14,2	2511	-	22,5	3761	-	41,5	
	34	1691	-	18,3	14,7	2664	-	23,2	3990	-	42,8	
	36	1788	-	18,8	15,1	2817	-	23,9	4218	-	44,0	
	38	1884	-	19,4	15,5	2969	-	24,5	4447	-	45,2	
	40	1981	-	19,9	15,9	3122	-	25,2	4675	-	46,4	
	42	2078	-	20,4	16,3	3275	-	25,8	4904	-	47,6	
	44	2175	-	20,8	16,7	3427	-	26,4	5132	-	48,7	
	46	2272	-	21,3	17,0	3580	-	27,0	5361	-	49,8	
	48	2369	-	21,8	17,4	3732	-	27,6	5589	-	50,8	
	50	2466	-	22,2	17,8	3885	-	28,1	5818	-	51,9	

145-RG_146-RG_ENG_2021_Rev. 0

Safety valve, angle type with bellows, Article 145-RG (twist-type lifting mechanism) and Article 146-RG (lifting lever)

Performance table:

Blowing-off rates at 10% above set pressure

Blowing-off rates at 10% above set pressure							
Nominal diameter DN		25			32		
Set pressure bar		I	II	III	I	II	III
Air I Nm ³ /h	0.5	199	150	8,8	353	266	15,4
	1	291	232	12,0	515	411	20,8
	1.5	390	309	14,7	683	542	25,5
	2	489	385	16,9	832	656	29,4
	2.5	583	457	18,9	1012	793	32,9
Steam II kg/h	3	681	532	20,8	1182	924	36,0
	3.5	768	597	22,4	1333	1036	38,9
	4	855	663	24,0	1484	1151	41,6
	4.5	942	729	25,4	1635	1265	44,1
	5	1029	794	26,8	1786	1378	46,5
Water III m ³ /h	5.5	1116	860	28,1	1937	1492	48,8
	6	1203	926	29,3	2088	1607	50,9
	6.5	1290	990	30,5	2239	1719	53,0
	7	1377	1054	31,7	2390	1830	55,0
	7.5	1464	1119	32,8	2542	1943	56,9
	8	1552	1184	33,9	2693	2056	58,8
	8.5	1639	1249	34,9	2844	2168	60,6
	9	1726	1314	35,9	2995	2281	62,4
	9.5	1813	1379	36,9	3146	2392	64,1
	10	1900	1443	37,9	3297	2504	65,8
	11	2074	1571	39,7	3599	2727	69,0
	12	2248	1699	41,5	3902	2948	72,0
	13	2422	1827	43,2	4204	3172	75,0
	14	2596	1957	44,8	4506	3396	77,8
	15	2771	2085	46,4	4808	3618	80,5
	16	2945	2214	47,9	5111	3842	83,2
	17	3119	2339	49,4	5413	4059	85,7
	18	3293	2467	50,8	5715	4281	88,2
	19	3467	2594	52,2	6017	4503	90,6
	20	3641	2723	53,6	6320	4726	93,0
21	3816	2852	54,9	6622	4950	95,3	
22	3990	2981	56,2	6924	5173	97,5	
23	4164	3109	57,5	7226	5396	99,7	
24	4338	3238	58,7	7529	5619	101,9	
25	4512	3366	59,9	7831	5842	104,0	
26	4686	-	61,1	8133	-	106,0	
27	4860	-	62,3	8435	-	108,0	
28	5035	-	63,4	8738	-	110,0	
29	5209	-	64,5	9040	-	112,0	
30	5383	-	65,6	9342	-	113,9	
32	5731	-	67,8	9947	-	117,6	
34	6080	-	69,9	10551	-	121,2	
36	6428	-	71,9	11156	-	124,8	
38	6776	-	73,9	11760	-	128,2	
40	7124	-	75,8	12365	-	131,5	
42	7473	-	77,6	12969	-	134,8	
44	7821	-	79,5	13574	-	137,9	
46	8169	-	81,3	14178	-	141,0	
48	8518	-	83,0	14783	-	144,1	
50	8866	-	84,7	15387	-	147,0	