

High pressure shut-off valve, article 63-CrMo

diameter G 1/4" up to G 1"

High pressure shut-off valve with adjustable gland packing for use in industrial systems, in which flowing liquids or gaseous media have been shut off. This can also be done under high pressure. The direction is indicated by an arrow.

Please observe the pressure reduction from temperatures over +50 °C !

☞ **Both sides with external threads acc. to EN 228-1 (DIN 259), cylindric.**

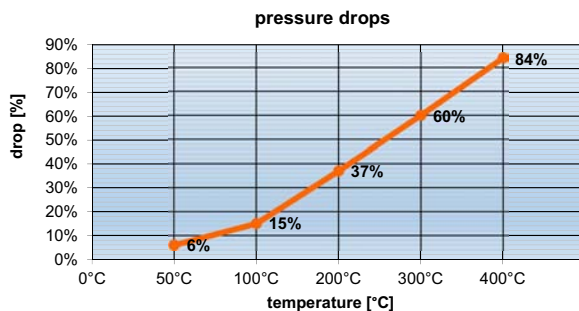
Steel version (body outside burnished).



	ambient -20°C ... +60°C
	medium -40°C ... +540°C

Before risk of frost empty the valve and ensure that the valve is depressurized. Freezing of the fluid may can seriously damage the valve.

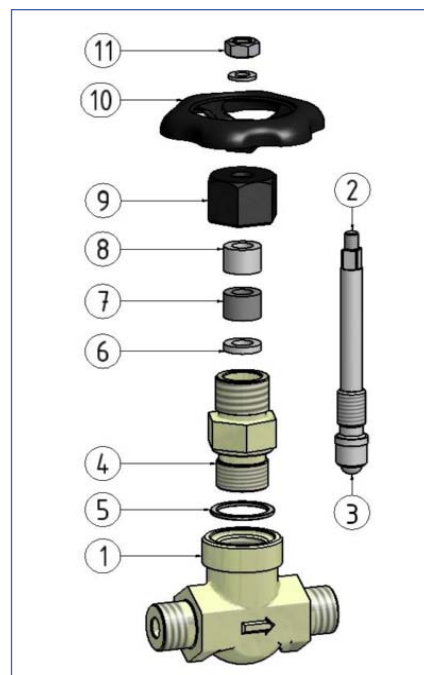
diagram pressure drops



temperature	pressure drop %	max. pressure article 63-CrMo (1/4" up to 1/2")	max. pressure article 63-CrMo (3/4" up to 1")
50° C	6%	598,5 bar	300,8 bar
100° C	15%	535,5 bar	272,0 bar
200° C	37%	396,9 bar	201,6 bar
300° C	60%	252,0 bar	128,0 bar
400° C	84%	100,8 bar	51,2 bar

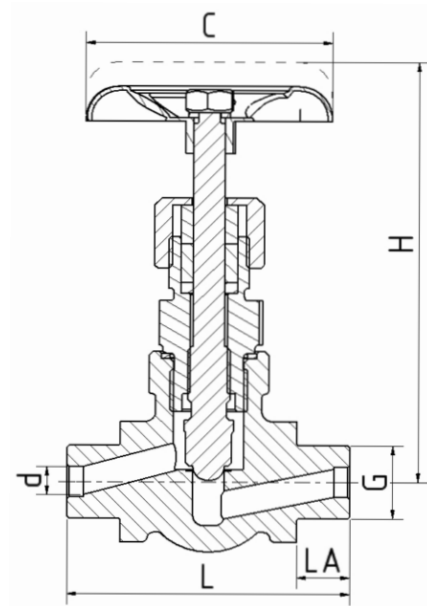
Artikel 63-CrMo

Pos.	description	material
1	body	heat-resistant steel 1.7335
2	stem	stainless steel 1.4104
3	regulating disc	chrome steel 1.4034
4	head piece	heat-resistant steel 1.7335
5	sealing ring	steel 1.0711 (9 S 20 K)
6	lower gland	steel 1.0711 (9 S 20 K)
7	gland packing	graphite
8	upper gland	steel 1.0711 (9 S 20 K)
9	union nut	steel 1.0711 (9 S 20 K)
10	hand wheel	pressed steel, black
11	hand wheel nut	



High pressure shut-off valve, article 63-CrMo

diameter G 1/4" up to G 1"



diameter	article number		L (mm)	H (mm)	LA (mm)	C (mm)	d (mm)	pressure rating (bar)	Kv-value [m ³ /h]	weight (kg)
	63-CrMo	1.7335								
G 1/4"	06.1016.16.61		80	120	15	70	5	640	0,42	0,64
G 1/2"	06.1016.16.63		80	120	17	70	8	640	0,83	0,66
G 3/4"	06.1015.16.65		100	135	19	90	10	320	1,40	1,45
G 1"	06.1015.16.67		130	166	21	100	15	320	3,00	1,81