

## Drain cock valve, article 19-MS

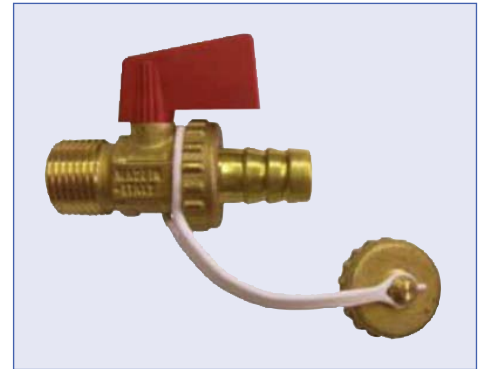
diameter G 3/8" up to G 3/4"

Boiler filling and drain cock valve with brass hose connection for the HVAC area.

**One side male thread acc. to DIN/ISO 228 (cylindrical)**

Operation means by plastic butterfly handle. Hose connection removable by unscrew of union nut, for hose diameter 15,0 mm up to 16,0 mm.

End cap with sealing washer, attached to the housing by using a special plastic-strap.

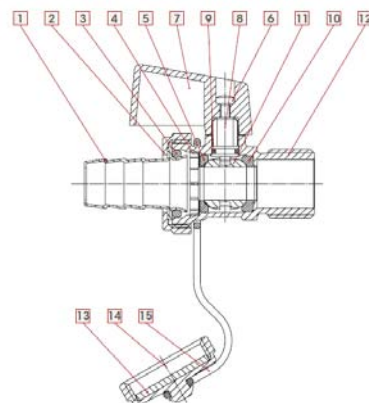
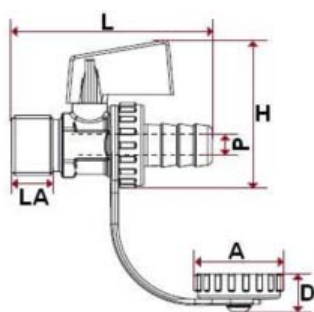


Before risk of frost empty the drain cock and ensure that the drain cock is depressurized. Freezing of the fluid may can seriously damage the valve.

	ambient -20° C .... +120° C
	medium -10° C .... +90° C

### Article 19-MS

Pos.	description	material	Pos.	description	material
1	hose connection	brass CW 614 N	9	O-ring	NBR
2	union nut	brass CW 617 N	10	ball seat	PTFE
3	O-ring	NBR	11	ball	brass CW614N chrome-plated
4	sleeve	Brass CW617N	12	body	brass CW617N
5	ball seat	PTFE	13	sealing washer	EPDM
6	screw	Cir UNI947-72	14	end cap	brass 617N
7	butterfly handle	nylon 66	15	synthetic strap	elastomer
8	stem	brass CW614N			



Article-No.:		L (mm)	LA (mm)	A (mm)	P (mm)	H (mm)	D (mm)	pressure rating (bar)
diameter	article 19-MS							
G 3/8"	26.3502.0.62	62,5	10	30	10	50	13	10
G 1/2"	26.3502.0.63	68,0	13	30	10	50	13	10
G 3/4"	26.3502.0.65	68,0	12	30	10	50	13	10