

## Switchbox, article 61-ES, with mechanical Ex d switch



Ex d Switch

Compact and flexible limit switch box made of conductive vestamide with sight window made of transparent polycarbonate for pneumatic actuators with connection interface in accordance with VDI / VDE 3845, or NAMUR.  
With two mechanical Ex d switches **make Bartec Type 07-1511-1020** (N.O. 2-wire) for the position indication "OPEN" and "CLOSE". Cover with optical 2D in-site display.



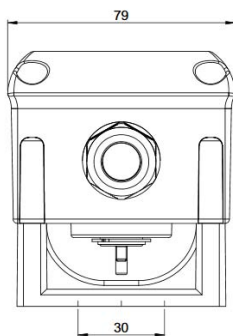
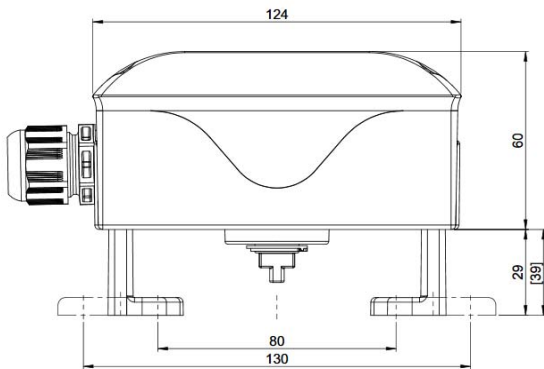
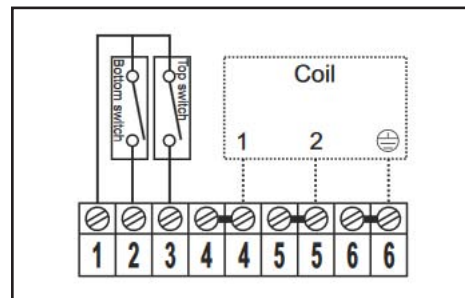
mechanical Ex d switch  
make Bartec, type 07-1511-1020

- Voltage max. current 24 V DC, 4,0 A
- Function 2-wire N.O.
- ATEX Ex-protection II 2 G Ex de IIC T6 Gb  
II 2 D Ex t IIIC T80°C Db
- Ex-zone zone 1, zone 21
- Protection class IP 67
- SIL-level SIL 1 - 3 (IEC 61508-2010)
- Cable gland M20 x 1,5 black
- Cable diameter 5,5 mm - 13,0 mm
- Terminal block 4-fold up to 2,5 mm<sup>2</sup>
- Switching cam adjustable
- Temperature range -20° C up to +40° C
- Display LED yellow



article-description:	order-No.:
61-ES	184.8782

### Connection plan



### article 61-ES

Pos.	description	material
1	housing base	Vestamide, conductive
2	sight window	Polycarbonate, transparent
3	sealings	EPDM and NBR
4	operating shaft	polyamide PA6
5	switch cams	plastic
6	mounting bracket	polyamide (PA6) + 30% glass fiber
7	terminal block	4-fold up to 2,5 mm <sup>2</sup>
8	cable gland	M20 x 1 blue
9	screws	stainless steel A2

### mounting bracket (adjustable)

- drilling pattern: 80 x 30 mm or 130 x 30 mm
- shaft height: 20 mm or 30 mm

## Switchbox, article 61-ES, with mechanical Ex d switch

### Variants of limit switch housing



bracket and shaft stainless steel  
order-no.: 184.8782-E



Switch housing aluminum  
bracket and shaft stainless steel  
order-no.: 184.8782-AL

### Options for the limit switch box



Solenoid valve connection  
1 spool  
order-no.: 184.8782-MA



large 3D display  
in the lid  
OPEN / CLOSED  
order-no.: 184.8782-D31



M12 connector  
5-pin male  
order-no.: 184.8782-M12



thread connection  
NPT 1/2  
order-no.: 184.8782-NPT



Pressure compensation  
element avoidance of  
condensation water  
order-no.: 184.8782-DAE

