

Flange globe valve, article 305-GS

diameter DN 15 up to DN 200



Flange globe valve, stem with adjustable gland packing, disc -metal sealing-. Closed design, tightness class A acc. to EN 12266-1 = no leakiness. Flanges are measured and drilled acc. to EN 1092-2, form B2.

- ☞ Pressure range PN 25 and PN 40
- ☞ Face to face acc. to EN 558, row 1 (DIN 3202-F1)

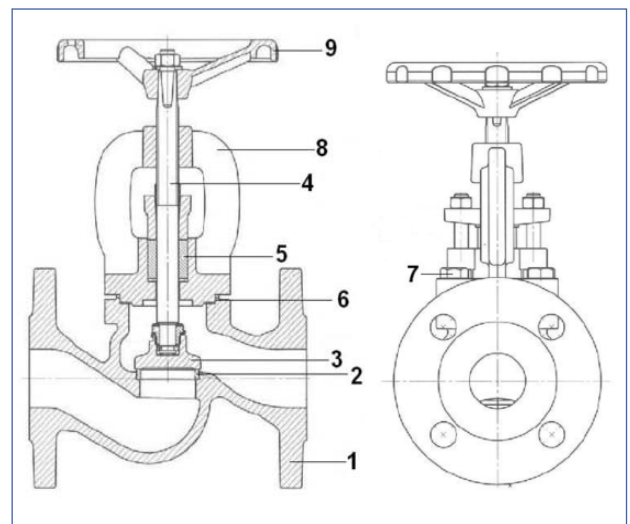
For general industrial applications, especially for cold and hot water supply and steam range up to max. +400° C.

Possible variants: PTFE-sealing, throttling valve with position indicator.

CE	0062
T°C	ambient -25°C ... +80°C
T°C	medium -10°C ... +400°C

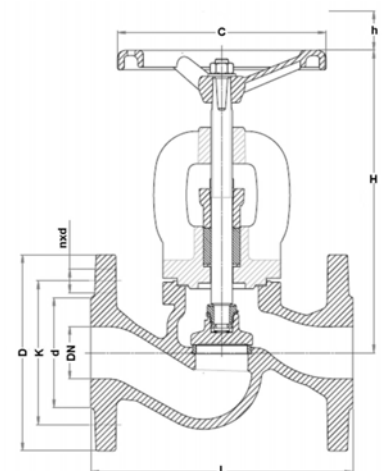
Article 305-GS

Pos.	description	material
1	body	grey cast iron 1.0619 GP240GH+N
2	seat ring	stainless steel 1.4370 G18 8Mn
3	disc	stainless steel 1.4021 X20Cr13
4	stem	stainless steel 1.4021 X20Cr13, polished
5	packing	graphite
6	gland packing	graphite + NiCr
7	gland	1.0718 11SMnPb30
8	bonnet	carbon steel 1.0619 GP240GH+N
9	hand wheel	ductile cast iron EN-GJS-400-18-LT



PN 25

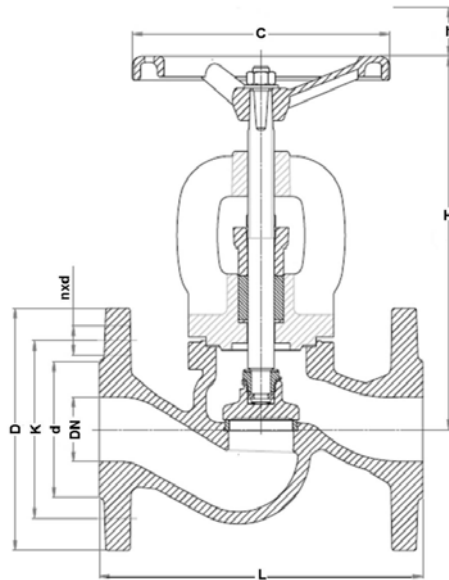
diameter	article number	L (mm)	H (mm)	h (mm)	C (mm)	D (mm)	d (mm)	K (mm)	n x d (mm)	Kv-value m³/h	weight (kg)
DN 15	260.0249.4.11	130	167	5,0	100	95	46	65	4 x 14	5,9	3,3
DN 20	260.0249.4.13	150	167	5,5	100	105	56	75	4 x 14	7,4	3,9
DN 25	260.0249.4.15	160	175	7,0	120	115	65	85	4 x 14	13,0	5,0
DN 32	260.0249.4.18	180	186	14,0	120	140	76	100	4 x 18	18,0	6,6
DN 40	260.0249.4.19	200	235	20,0	160	150	84	110	4 x 18	30,0	8,4
DN 50	260.0249.4.21	230	248	25,0	160	165	99	125	4 x 18	41,0	12,0
DN 65	260.0249.4.24	290	260	35,0	180	185	118	145	8 x 18	79,0	17,3
DN 80	260.0249.4.25	310	291	41,0	200	200	132	160	8 x 18	115,0	22,7
DN 100	260.0249.4.27	350	338	31,0	250	235	156	190	8 x 22	181,0	35,8
DN 125	260.0249.4.28	400	384	48,0	250	270	184	220	8 x 26	225,0	52,8
DN 150	260.0249.4.29	480	429	54,0	320	300	211	250	8 x 26	364,0	74,2
DN 200	260.0249.4.31	600	529	77,0	360	360	274	310	12 x 26	690,0	126,0



305-GS_ENG_2021_Rev. 0

Flange globe valve, article 305-GS

diameter DN 15 up to DN 200



PN 40											
diameter	article number	L (mm)	H (mm)	h (mm)	C (mm)	D (mm)	d (mm)	K (mm)	n x do (mm)	Kv-value m ³ /h	weight (kg)
DN 15	260.0250.4.11	130	208	6,0	120	95	45	65	4 x 14	4,3	4,3
DN 20	260.0250.4.13	150	208	6,0	120	105	58	75	4 x 14	7,0	5,1
DN 25	260.0250.4.15	160	208	6,0	120	115	68	85	4 x 14	11,0	5,8
DN 32	260.0250.4.18	180	248	10,0	180	140	78	100	4 x 18	17,5	9,5
DN 40	260.0250.4.19	200	248	10,0	180	150	88	110	4 x 18	27,0	9,8
DN 50	260.0250.4.21	230	332	16,5	250	165	102	125	4 x 18	47,0	17,5
DN 65	260.0250.4.24	290	332	16,5	250	185	122	145	8 x 18	68,0	20,5
DN 80	260.0250.4.25	310	407	25,0	250	200	138	160	8 x 18	116,0	34,0
DN 100	260.0250.4.27	350	407	25,0	250	235	162	190	8 x 22	162,0	44,0
DN 125	260.0250.4.28	400	571	40,0	320	270	188	220	8 x 26	250,0	77,0
DN 150	260.0250.4.29	480	571	40,0	320	300	213	250	8 x 26	364,0	113,0
DN 200	260.0250.4.31	600	571	92,0	400	375	285	320	12 x 30	550,0	180,0