

## High pressure shut-off valve, article 67-CrMo

diameter G 1/4" up to G 1 1/2"

High pressure shut-off valve with adjustable gland packing for use in industrial systems, in which flowing liquids or gaseous media have been shut off. This can also be done under high pressure. The flow direction is indicated on the body by arrow.

Please observe the pressure reduction from temperatures over +50 °C !

☞ **Both sides with female threads acc. to EN 228-1 (DIN 259), cylindrical.**

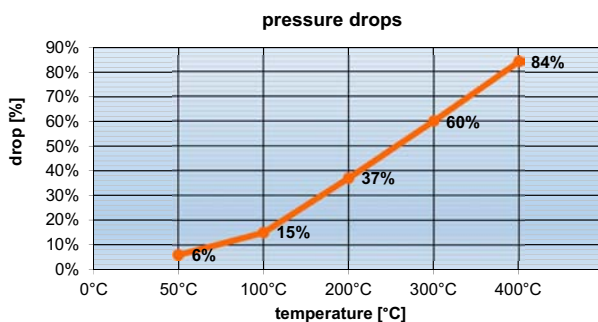
Body forged steel, galvanic zinc plated



	ambient -20°C ... +60°C
	medium -40°C ... +540°C

Before risk of frost empty the valve and ensure that the valve is depressurized. Freezing of the fluid may seriously damage the valve.

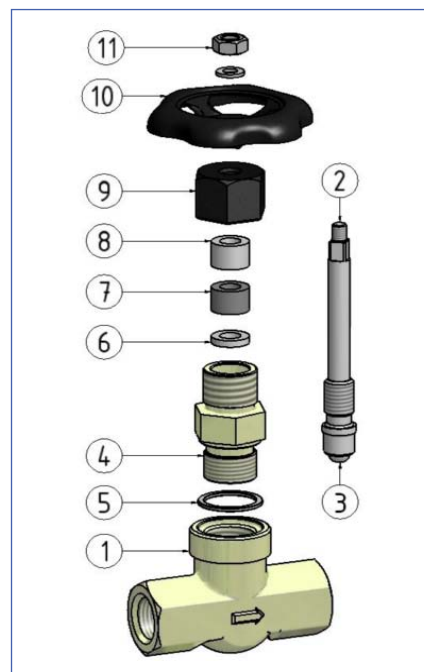
### diagram pressure drops



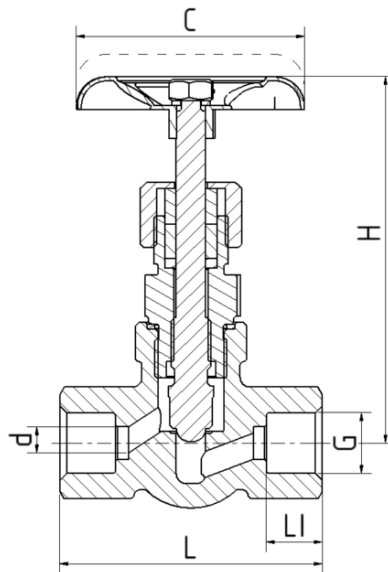
temperature	pressure drop %	max. pressure article 67-CrMo (1/4" - 1/2")	max. pressure article 67-CrMo (3/4" - 1")	max. pressure article 67-CrMo (1 1/4" - 1 1/2")
50° C	6%	598,5 bar	300,8 bar	150,4 bar
100° C	15%	535,5 bar	272,0 bar	136,0 bar
200° C	37%	396,9 bar	201,6 bar	100,8 bar
300° C	60%	252,0 bar	128,0 bar	64,0 bar
400° C	84%	100,8 bar	52,2 bar	25,6 bar

### Article 67-CrMo

Pos.	description	material
1	body	heat-resistant steel 1.7335
2	stem	stainless steel 1.4104
3	regulating disc	chrome steel 1.4034
4	head piece	heat-resistant steel 1.7335
5	sealing ring	steel 1.0711 (9 S 20 K)
6	lower gland	steel 1.0711 (9 S 20 K)
7	gland packing	graphite
8	upper gland	steel 1.0711 (9 S 20 K)
9	union nut	steel 1.0711 (9 S 20 K)
10	hand wheel	pressed steel, black
11	hand wheel nut	



**High pressure shut-off valve, article 67-CrMo**  
**diameter G 1/4" up to G 1 1/2"**



diameter	article no.	L (mm)	H (mm)	LI (mm)	C (mm)	d (mm)	pressure rating (bar)	Kv-value [m <sup>3</sup> /h]	weight (kg)
	67-CrMo <b>1.7335</b>								
G 1/4"	06.1023.16.61	80	120	15	70	5	640	0,42	0,74
G 3/8"	06.1023.16.62	80	120	15	70	6	640	0,53	0,74
G 1/2"	06.1023.16.63	80	120	17	70	8	640	0,83	0,69
G 3/4"	06.1022.16.65	100	135	19	90	10	320	1,40	1,12
G 1"	06.1022.16.67	130	166	21	100	15	320	3,00	2,15
G 1 1/4"	06.1020.16.68	130	166	22	100	20	160	3,50	1,98
G 1 1/2"	06.1020.16.69	160	218	24	150	25	160	7,80	4,60

67-CrMo\_ENG\_2021\_Rev. 0