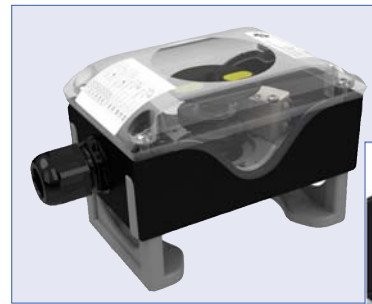


## Switchbox, article 44-ES with inductive proximity switches

Compact and flexible polyamide limit switch box with transparent polycarbonate cover for pneumatic actuators with connection interface according to VDI / VDE 3845, or NAMUR. With two inductive proximity switches (3-wire PNP N.O.), **make IFM Typ IS5001** for the position indication "OPEN" and "CLOSE", wired to a 6-fold terminal block. Cover with 2D in-site display.

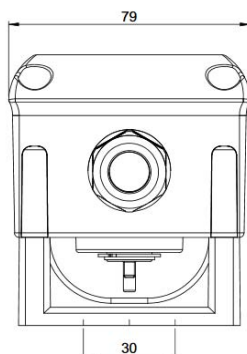
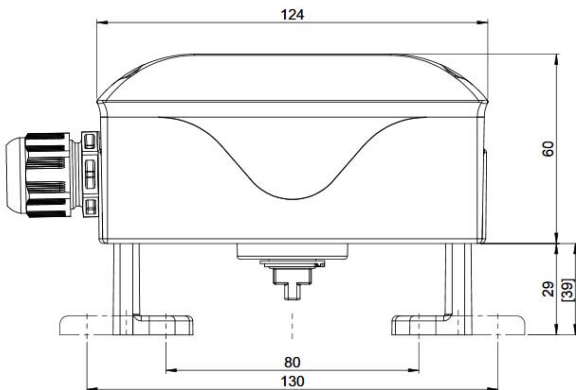
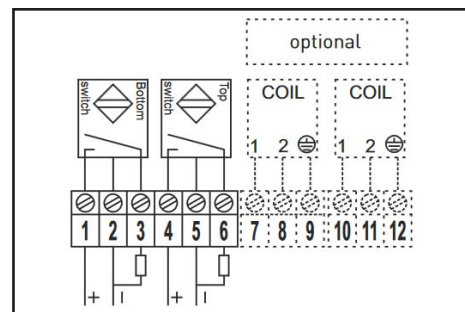
- Voltage 10 - 36 V DC
- Current consumption 0 - 200 mA
- Switching frequency 800 Hz
- No-load current 15 mA
- Protection class IP 67
- Cable gland M20 x 1,5 black
- Cable diameter 6,0 mm - 12,0 mm
- Terminal block 6-fold up to 2,5 mm<sup>2</sup>
- Switching cam adjustable
- Temperature range -25° C up to +80° C
- Display LED yellow



ind. proximity switches  
make IFM, Typ IS5001

article-description:	order-No.:
44-ES	184.8710

### Connection plan



### article 44-ES

Pos.	description	material
1	housing base	polyamide PA6
2	housing cover	polycarbonate, transparent
3	sealings	EPDM and NBR
4	operating shaft	polyamide PA6
5	switch cams	plastic
6	mounting bracket	polyamide (PA6) + 30% glass fiber
7	terminal block	6-fold up to 2,5 mm <sup>2</sup>
8	cable gland	M20 x 1
9	screws	stainless steel A2

### mounting bracket (adjustable)

- drilling pattern: 80 x 30 mm or 130 x 30 mm
- shaft height 20,0 mm or 30,0 mm

## Switchbox, article 44-ES with inductive proximity switches

### Variants of limit switch housing



bracket and shaft stainless steel  
order-no.: 184.8710-E



Switch housing aluminum  
bracket and shaft stainless steel  
order-no.: 184.8710-AL

### Options for the limit switch box



Solenoid valve connection  
1 spool  
order-no.: 184.8710-MA



Large 3D display  
in the lid  
OPEN / CLOSED  
order-no.: 184.8710-D31



M12 connector  
5-pin male  
order-no.: 184.8710-M12



thread connection  
NPT 1/2  
order-no.: 184.8710-NPT



Pressure compensation  
element avoidance of  
condensation water  
order-no.: 184.8710-DAE

