

## Relief / Overflow valve, straightway form Article 195-RG and 195-RG/V

**diameter DN 15 up to DN 100**

Overflow valves with proportional opening and closing characteristic are used for example in pumping circuits and pipeline systems, in which a constant pressure condition must be ensured.

The relief valves serve as protection of:

- pumps against overloading in closed circuits for neutral / non-neutral, non-sticky liquids

For regulation in:

- pressure systems for neutral / not neutral gases and steams -depending on the sealing- also for water vapour

The medium can circulate in the bypass line of a pump or pipeline. The preset overflow valves can be adjusted within the spring range.

**Connections:**

both sides with flanges acc. to DIN EN 1092-1, Form B1, pressure range PN 16 / PN 40

**The appropriate valve design and sealing must be used according to the application**



	DGR 2014/68/EU
	ambient -10°C ... +60°C
	medium -10°C ... +95°C

**Approvals**

European Pressure Equipment Directive  
TR ZU 032/2013 - TR ZU 010/2011

**Valve version:**

<b>m</b>	<b>with diaphragm</b>	<p>High-quality, heat-resistant moulded elastomere fabric-reinforced diaphragm. Valves in straightway form, closed version. Can be adjusted under operating conditions without medium escaping into the atmosphere. Adjustment can be directly read-off an optional pressure gauge (accessory). Optimal control response and large flow volumes even in cases of small pressure differences due to diaphragm operating principle.</p>
----------	-----------------------	---

**Standard seals:**

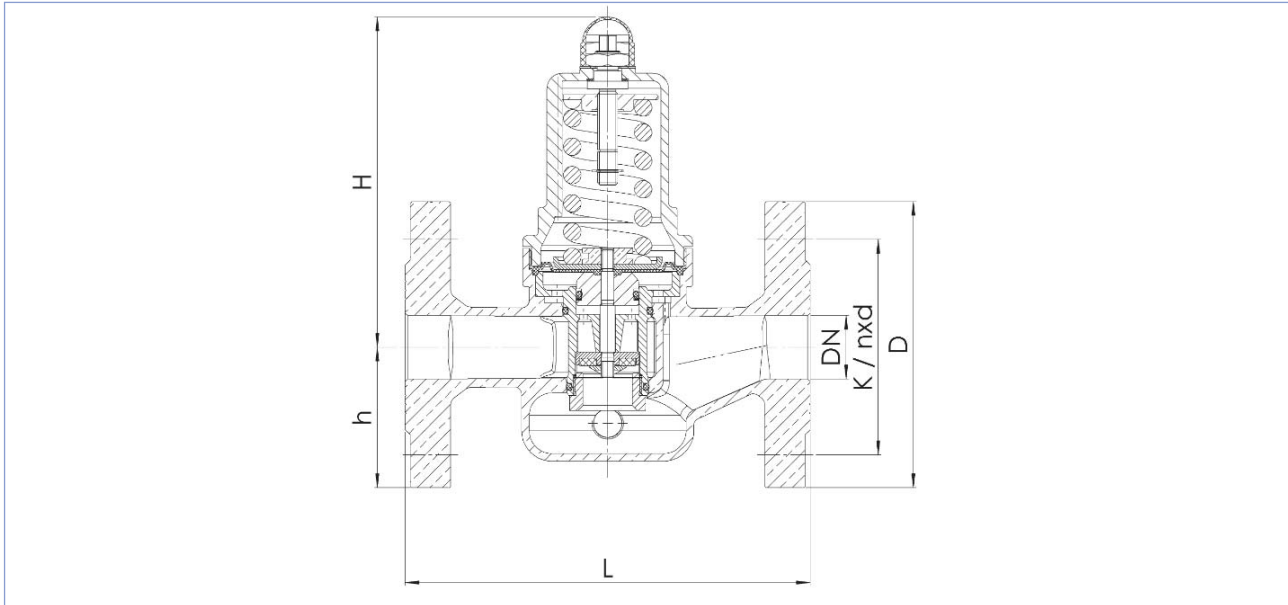
<b>EPDM (195-RG)</b>	Ethylene propylene diene	Elastomere moulded diaphragm and seals approvals according to drinking water directive	-10°C to +95°C
<b>against surcharge</b>			
<b>FKM (195-RG/V)</b>	Fluorcarbon	Elastomere moulded diaphragm and seals	-10°C to +95°C

195-RG\_ENG\_2021\_Rev. 0

## Relief / Overflow valve, straightway form

### Article 195-RG and 195-RG/V

diameter DN 15 up to DN 100



diameter DN		article number		pressure range	weight (kg)	L (mm)	D (mm)	H (mm)	h (mm)	K / nxd (mm)	range of adjustment (bar)
195-RG	195-RG/V	195-RG	195-RG/V								
		EPDM-sealing	FKM-sealing								
DN 15	19.1680.1.11	19.1680.1.11-V	16/40	2,8	130	95	102	46	65 / 4xM12	<b>DN 15 to DN 65</b> 0,5 to 2,0 1,5 to 6,0 5,5 to 10,0	
DN 20	19.1680.1.13	19.1680.1.13-V	16/40	4,2	150	105	130	50	75 / 4xM12		
DN 25	19.1680.1.15	19.1680.1.15-V	16/40	4,7	160	115	130	55	85 / 4xM12		
DN 32	19.1680.1.18	19.1680.1.18-V	16/40	5,9	180	140	130	68	100 / 4xM16		
DN 40	19.1680.1.19	19.1680.1.19-V	16/40	8,6	200	150	166	73	110 / 4xM16		
DN 50	19.1680.1.21	19.1680.1.21-V	16/40	10,5	230	165	166	80	125 / 4xM16	<b>DN 65 to DN 80</b> 1,0 to 6,0	
DN 65	19.1680.1.24	19.1680.1.24-V	16/40	20,0	290	185	245	89	145 / 8xM16		
DN 80	19.1680.1.25	19.1680.1.25-V	16/40	22,0	310	200	245	97	160 / 8xM16	<b>DN 100</b> 1,0 to 5,5	
DN 100	19.1680.1.27	19.1680.1.27-V	16	40,0	350	220	320	112	180 / 8xM16		

Article	195-RG	195-RG/V
description	material	material
inlet body	red brass CC499K	red brass CC499K
outlet body	red brass CC499K	red brass CC499K
internal parts	brass CW614N red brass CC499K	brass CW614N red brass CC499K
valve seat	stainless steel 1.4404	stainless steel 1.4404
spring	spring steel 1.1200	spring steel 1.1200
sealing	<b>EPDM</b>	<b>FKM (Viton)</b>
area of application	for neutral media approval acc. to drinking water ordinance	for non-neutral media p. ex. oil fuels, oil-laden compressed air etc.

195-RG\_ENG\_2021\_Rev. 0

