

Globe valve, article 100-RG/LT

diameter G 1/2" up to G 2"

Globe valve made of red brass with screwed top and adjustable gland packing. Heavy duty series, pressure range PN 16.

-PTFE sealing-

Suitable for cold and hot water, wet steam, mineralized oils and lipids, as well as air and gaseous media.

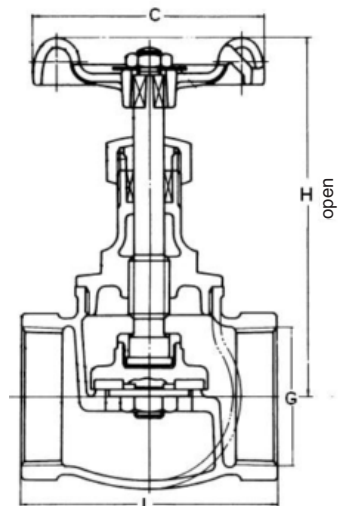
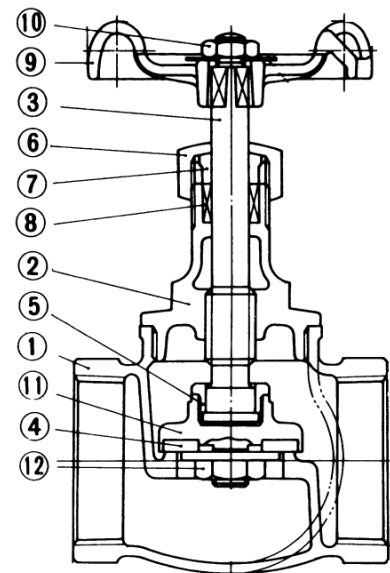
☞ Both sides with cylindrical female threads acc. to EN ISO 228-1



	ambient -20°C ... +80°C
	medium -15°C ... +160°C

Article 100-RG/LM

Pos.	description	material
1	body	red brass G-CU-Sn 5 Zn Pb
2	bonnet	G 1/2" - G 1" brass Cu Zn 36 Pb 3 G 1 1/4" - G 2" red brass G-Cu-Sn 5 Zn Pb
3	stem	brass Cu Zn 39 Pb 2
4	sealing	PTFE (Teflon)
5	lock nut	brass Cu Zn 39 Pb2
6	gland nut	G 3/8" - G 1 1/2" brass Cu Zn 36 Pb 3 G 2" red brass G-Cu-Sn 5 Zn Pb
7	gland ring	brass Cu Zn 36 Pb3
8	gland packing	graphite
9	hand wheel	cast iron or zinc die-cast
10	nut	
11	sealing plate	G 1/2" - G 1 1/4" brass Cu Zn 39 Pb 3 G 1 1/2" - G 2" red brass G-Cu-Sn 5 Zn Pb
12	grommet nut	G 1/2" - G 1 1/4" brass Cu Zn 36 Pb 3 G 1 1/2" - G 2" brass Cu Zn 39 Pb 2



diameter	article number	L (mm)	H (mm)	C (mm)	weight (kg)	pressure rating (bar)
	100-RG / LT PTFE sealing					
G 1/2"	66.0604.1.63	58	90	58	0,37	16
G 3/4"	66.0604.1.65	66	99	66	0,53	16
G 1"	66.0604.1.67	75	109	73	0,83	16
G 1 1/4"	66.0604.1.68	90	113	84	1,32	16
G 1 1/2"	66.0604.1.69	98	143	94	1,08	16
G 2"	66.0604.1.71	120	162	106	2,97	16

100-RG/LT 2021_ENG, Rev. 0