

Wafer type swing check valve, article 645-VA Diameter DN 32 up to DN 300

Wafer type swing check valve, article 645-VA

Disk check valve with short face to face for clamping between flanges. Designed for industrial use to prevent backflow of liquid and/or gaseous media. Either disc returns by gravity or assisted by spring. In the case of the soft-sealing version (EPDM / NBR / FPM / PTFE), an O-ring of the same quality is also inserted in the flange sealing surface; than additional flange seals are not required.

A back pressure of minimum 0.3 bar is required to ensure that the non-return valve is tight; for lower pressures, we recommend the soft-seated version.

- ☞ **Pressure range up to max. 16.0 bar**
- ☞ **For clamping between flanges according to DIN EN 1092-1, form B1**

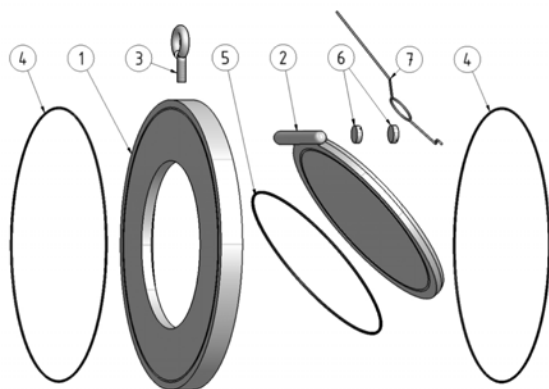
NOTICE ! The valve disc pivots into the pipeline when it opens (see dimension F), the inner diameter of the pipe must be large enough.



645-VA
without spring return



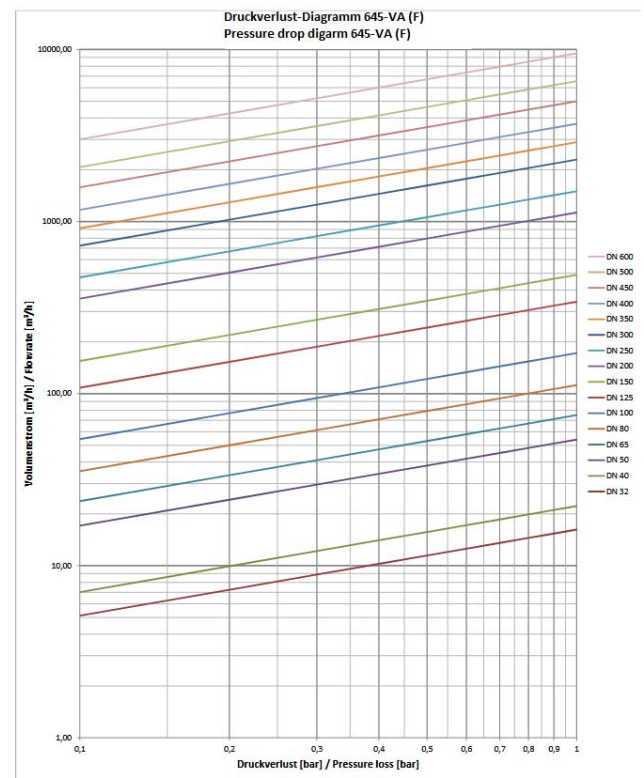
645-VA
with spring return



Pos.	Description	Material
1	Body	Stainless steel 1.4408
2	Disc	Stainless steel 1.4408/1.4581
3	Ring screw	A2
4	Body sealing ring	NBR, EPDM, FPM, PTFE or metallic
5	Disc sealing ring	NBR, EPDM, FPM, PTFE or metallic
6	Locking screw	A2
7	Spring	Stainless steel 1.4571

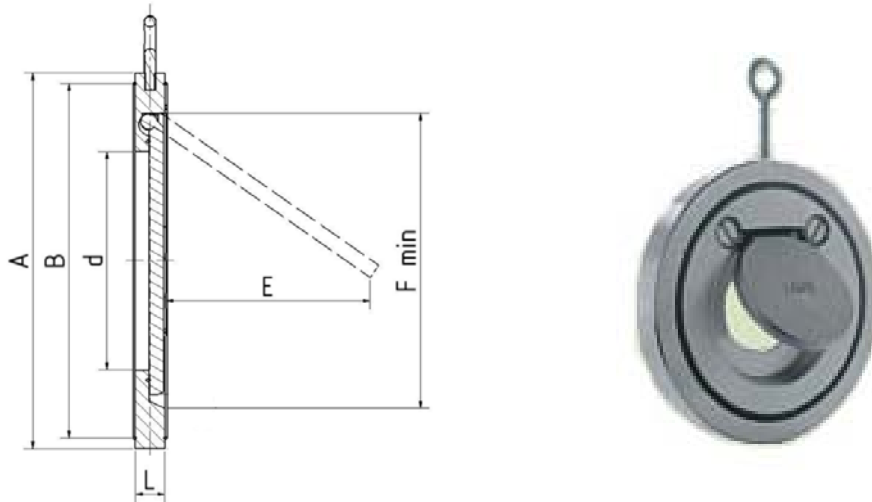
pressure drop diagram

The diagram values apply to water at 20 °C.
For the calculation of other fluids, please contact our company.



CE	0036
T°C	ambient -10° C ... +80° C
T°C	Medium (pressure dependent)
	Metallic -10° C ... +300° C
	NBR -10° C ... +90° C
	EPDM -10° C ... +120° C
	FPM -10° C ... +150° C
	PTFE -10° C ... +200° C

Wafer type swing check valve, article 645-VA Diameter DN 32 up to DN 300



Diameter	Article-No.	L (mm)	A (mm)	B (mm)	d (mm)	E (mm)	F (mm)	Opening pressure at flow direction (mbar)				design pressure PN	Kv-value (m ³ /h)	weight (kg)
								without spring		with spring				
								→	↑	→	↑			
DN 32	235.2715.6.18	15	85	59	18	22	37	~ 2	~ 10	~ 15	~ 25	10 - 40	16,2	0,5
DN 40	235.2715.6.19	16	95	72	22	25	43	~ 2	~ 10	~ 15	~ 25	10 - 40	22,2	0,8
DN 50	235.2715.6.21	14	109	86	32	37	54	~ 2	~ 10	~ 15	~ 25	10 - 40	54,0	1,0
DN 65	235.2715.6.24	14	129	109	40	50	70	~ 2	~ 10	~ 15	~ 25	10 - 40	75,0	1,4
DN 80	235.2715.6.25	14	144	119	54	61	82	~ 2	~ 10	~ 15	~ 25	10 - 40	112,0	1,8
DN 100	235.2715.6.27	18	164	146	70	77	106	~ 2	~ 10	~ 15	~ 25	10 - 16	172,0	2,9
DN 125	235.2715.6.28	18	195	176	92	98	131	~ 2	~ 10	~ 15	~ 25	10 - 16	342,0	3,9
DN 150	235.2715.6.29	20	220	197	112	120	159	~ 2	~ 10	~ 15	~ 25	10 - 16	490,0	4,5
DN 200	235.2715.6.31	22	275	255	164	160	207	~ 4	~ 14	~ 17	~ 25	10 - 16	1.128,0	7,5
DN 250	235.2715.6.33	26	330	312	192	190	260	~ 4	~ 14	~ 17	~ 25	10	1.500,0	13,0
DN 300	235.2715.6.34	32	380	363	227	220	309	~ 4	~ 14	~ 17	~ 25	10	2.290,0	23,0

Optional designs:

- **Metal-to-metal sealing**, no addition after the article no. is needed

- **Soft sealing** (O-ring in valve disc and flange sealing surface)
with an addition after the respective article no.

-E = EPDM -N = NBR
-V = FPM -P = PTFE

- **Spring return** as an addition after article no.

-F = Spring stainless steel 1.4571

Example: 235.2715.6.24-E/-F Check Valve 645-VA DN 65 Soft sealing EPDM + Spring return