

## Switchboxes, article 41-ES with mechanical switches

Robust aluminum limit switch box for mounting on pneumatic actuators with connecting interface according to VDI / VDE 3845, or NAMUR. With two quality microswitches, **make Honeywell type ZM50D** (N.O. / N.C. SPDT) to the position indication "OPEN" and "CLOSE", wired to 8-way terminal block. Lid with 3D on-site display.

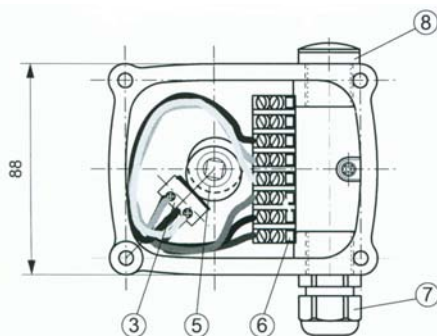
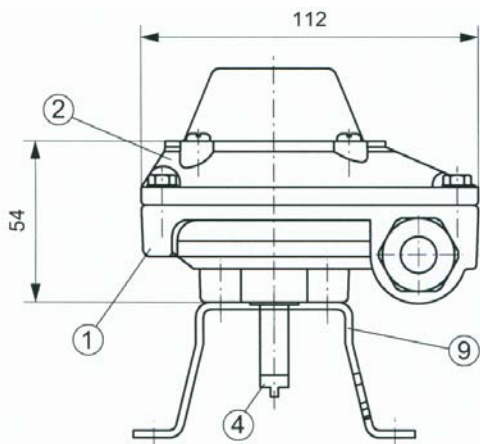
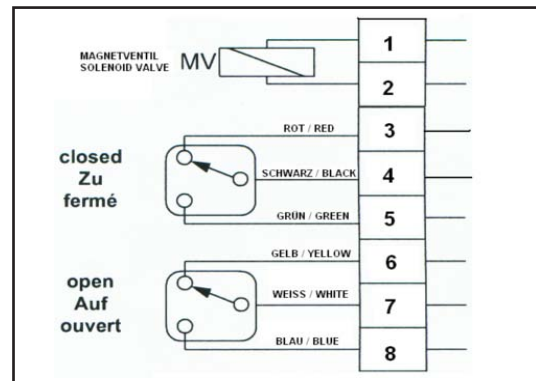
- Voltage up to max. 250 V AC / DC
- Switch power max. 5,0 A
- Protection class IP 67
- Cable gland M20 x 1.5 black
- Cable diameter 6.0 mm - 12.0 mm
- Terminal block 8-fold up to 2,5 mm<sup>2</sup> (prepared for solenoid valve connection with second cable gland)
- Easily adjustable switching cams
- Temperature range -25° C up to +85° C
- Switching precision < 1°
- Contact Material Silver-Nickel



technical switch N.O. / N.C. SPDT  
make Honywell, type ZM50D

article-description:	order-No.:
41-ES	179.8705

### Connection plan



### article 41-ES

Pos.	description	material
1	housing base	die-cast aluminum
2	housing cover	die-cast aluminum
3	micro switch	Honeywell ZM50D (close)
4	operating shaft	stainless steel
5	switch cams	plastic
6	terminal block	8-fold up to 2,5 mm <sup>2</sup>
7	cable gland	M20 x 1,5
8	blind plug	M20 x 1,5
9	bracket	stainless steel A2

