

Thread or welding end check valve, article 604-VA article 604-VA/BW

Diameter G 1/4" up to G 3" (DN 8 up to DN 80)



604-VA/BW



604-VA

3-part check valve complete made from stainless steel with spring return disc. Connecting ends optional with thread ends (BSP) or welding ends (BW).

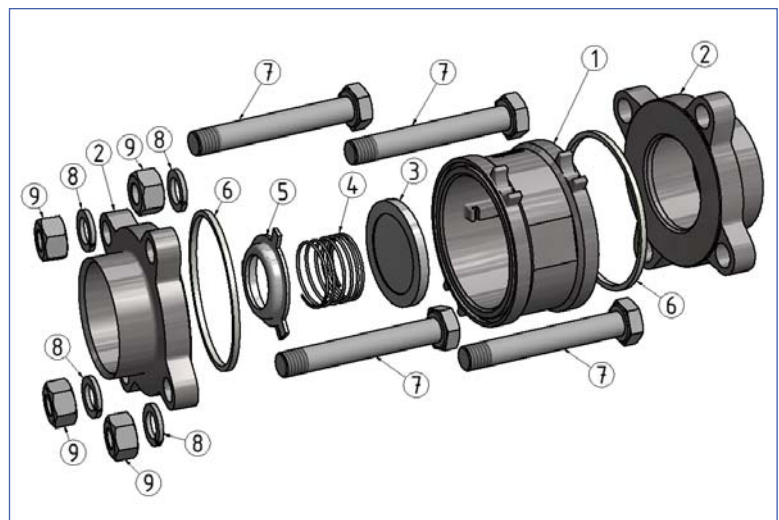
Disc sealing metal to metal at the body. The Center section can be removed, this allows an easy revision of the internal parts.

Can be used for neutral and non-neutral gaseous and liquids, taking into account the material resistance stainless steel 316/316L. Pressure class PN 63, Note pressure reductions for larger nominal sizes.

Inside thread (604-VA) : DIN ISO 7/1 (BSP)
But welding end (604-VA/BW): EN 12627, ASME B16.25

	Ambient	-25°C ... +90°C
	Medium	-25°C ... +180°C

Article 604-VA 604-VA/BW		
Pos.	Description	Material
1	Body	Stainless steel CF8M
2	Body ends	Stainless steel CF8M
3	Disc	Stainless steel CF8M
4	Spring	Stainless steel SS316
5	Spring cap	Stainless steel SS316
6	Body seal	PTFE
7	Body bolts	Stainless steel SS304
8	Washer	Stainless steel SS304
9	Nuts	Stainless steel SS304



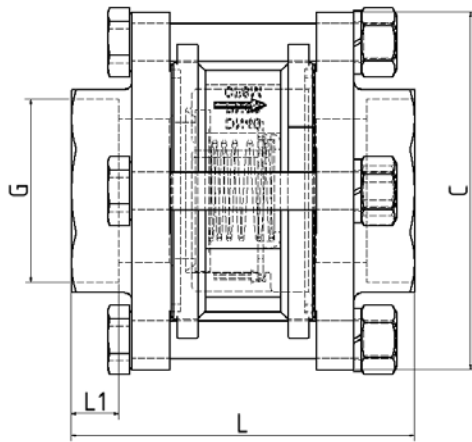
Spare and wear parts, consisting of:		
Pos.	Description	Material
6	Body seal (2x)	PTFE

Diameter	1/4" (DN 8)	3/8" (DN 10)	1/2" (DN 15)	3/4" (DN 20)	1" (DN 25)	1 1/4" (DN 32)	1 1/2" (DN 40)	2" (DN 50)	2 1/2" (DN 65)	3" (DN 80)
Opening pressure → (bar)	0,055	0,055	0,055	0,080	0,025	0,025	0,025	0,030	0,030	0,015
Opening pressure ↑ (bar)	0,058	0,058	0,058	0,083	0,029	0,029	0,029	0,035	0,035	0,021
KV	0,7	1,4	2,0	7,0	13,0	17,0	23,0	48,0	55,0	83,0

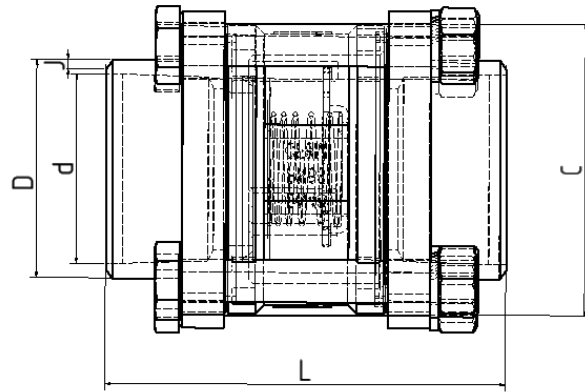
604-VA_604-VA-BW_2021_ENG_Rev. 0

Thread or welding end check valve, article 604-VA article 604-VA/BW

Diameter G 1/4" up to G 3" (DN 8 up to DN 80)



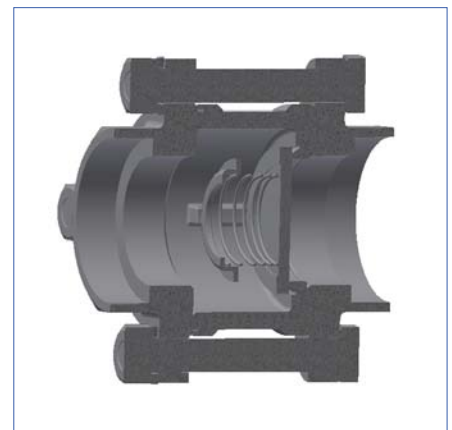
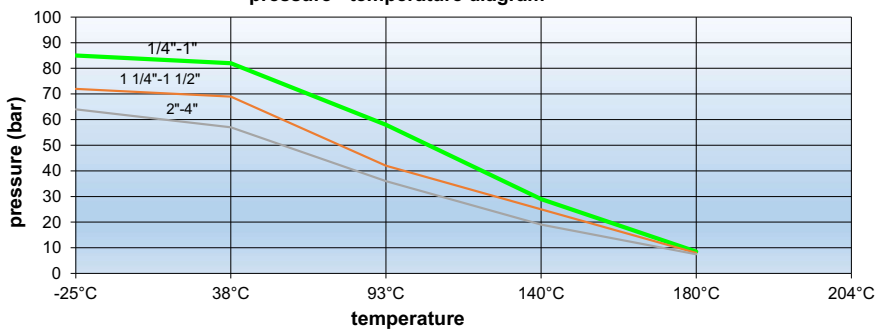
604-VA



604-VA/BW

Diameter G	Article-No.				Diameter	Article-No.						Pressure class (PN)	Weight (kg)
	604-VA Stainless steel	L (mm)	L1 (mm)	C (mm)		604-VA/BW Stainless steel	L (mm)	d (mm)	D (mm)	J (mm)	C (mm)		
G 1/4"	502.1490.6.61	49,0	9,5	45,0	DN 8	502.1491.6.61	49,0	12,5	15,2	1,7	45,0	63	0,14
G 3/8"	502.1490.6.62	49,0	9,5	45,0	DN 10	502.1491.6.62	49,0	12,5	17,2	1,7	45,0	63	0,14
G 1/2"	502.1490.6.63	56,0	9,5	53,5	DN 15	502.1491.6.63	56,5	15,0	23,0	1,7	53,5	63	0,30
G 3/4"	502.1490.6.65	65,0	12,6	62,5	DN 20	502.1491.6.65	65,0	20,0	28,0	1,7	62,5	63	0,43
G 1"	502.1490.6.67	74,0	12,6	71,0	DN 25	502.1491.6.67	74,0	25,0	34,0	2,5	71,0	63	0,61
G 1 1/4"	502.1490.6.68	83,0	12,6	88,0	DN 32	502.1491.6.68	83,0	32,0	41,0	2,5	88,0	63	1,00
G 1 1/2"	502.1490.6.69	91,0	12,6	95,0	DN 40	502.1491.6.69	92,0	40,0	49,0	2,5	95,0	63	1,32
G 2"	502.1490.6.71	110,0	15,7	117,0	DN 50	502.1491.6.71	110,0	50,0	61,0	1,6	117,0	63	2,14
G 2 1/2"	502.1490.6.72	125,0	15,7	147,0	DN 65	502.1491.6.72	125,5	65,0	78,0	3,0	147,0	63	4,00
G 3"	502.1490.6.73	141,0	24,0	167,0	DN 80	502.1491.6.73	141,0	76,0	94,0	4,75	167,0	63	5,71

pressure - temperature diagram



604-VA_604-VA-BW_2021_ENG_Rev. 0