

Bent cock valve (tank drain valve), article 25-VA




diameter G 3/8" up to G 1"

Bent cock valve especially designed for the use in food sector.

Totally made of stainless steel, all sealings with FDA approval for food and beverage industry.

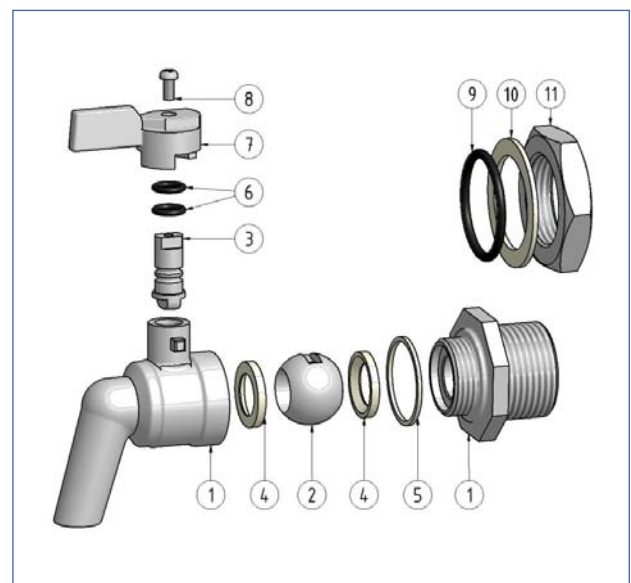
All components can be simply removed and cleaned. The subsequent mounting is easy to perform without tools.

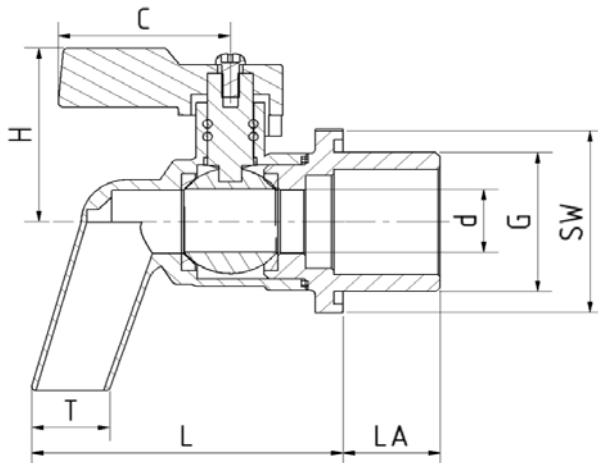


	FDA food sector
	ambient -10°C bis +60°C
	medium liquids -20°C bis +110°C 0°C bis +110°C

article 25-VA

Pos.	description	material
1	body	stainless steel 1.4301 polished
2	ball	stainless steel 1.4301 polished
3	stem	stainless steel 1.4301
4	ball seat	PTFE (G400 FDA-approval)
5	body seat	PTFE (G400 FDA-approval)
6	O-ring	NBR
7	lever	stainless steel 1.4301+plastic cover
8	lever screw	stainless steel 1.4301
9	O-ring (outside)	stainless steel 1.4301
10	flat gasket (inside)	EPDM white (food)
11	lock nut	stainless steel 1.4301





	article number	L (mm)	LA (mm)	d (mm)	H (mm)	SW (mm)	C (mm)	T (mm)	pressure rating (bar)	weight (kg)
diameter	25-VA									
G 3/8"	454.3417.5.62	49	13	10	38,0	29	38	8,6	16	0,165
G 1/2"	454.3417.5.63	49	13	10	38,0	29	38	8,6	16	0,174
G 3/4"	454.3417.5.65	67	19	15	42,0	36	38	14,0	16	0,279
G 1"	454.3417.5.67	67	20	20	45,0	43	38	18,5	16	0,323

mounting kit			
	article number		
diameter	position 9 O-ring	position 10 flat gasket	position 11 lock nut
G 3/8"	325.0024.27.62	454.5340.9.62	13.7723.5.62
G 1/2"	325.0024.27.63	454.5340.9.63	13.7723.5.63
G 3/4"	325.0024.27.65	454.5340.9.65	13.7723.5.65
G 1"	325.0024.27.67	454.5340.9.67	13.7723.5.67