

## Gate valve, article 508-VA

diameter G 1/2" up to G 2 1/2"

Gate valve with screwed top and non-rising stem. Conical wedge, 100% metal sealing. Stem sealing with adjustable gland nut. Full passage for opening position.

**Both sides with female thread acc. to DIN ISO 228-1**

For neutral, gaseous and liquid media. Useage in general industrial areas.

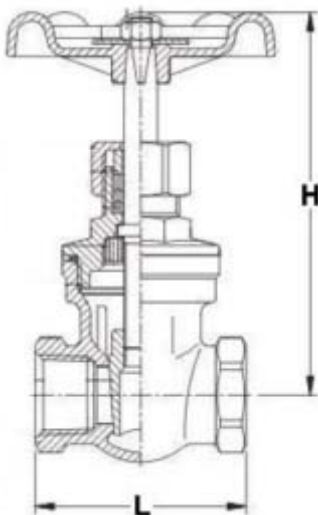
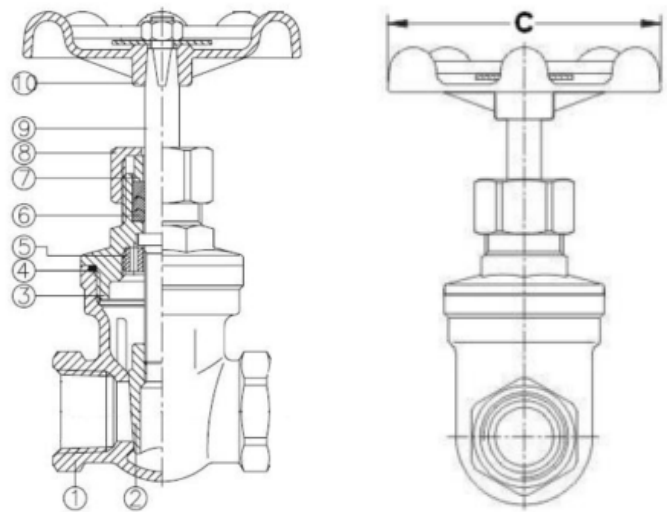


EDELSTAHL  
Rost  
frei

	ambient	-15° C ... + 80° C
	medium	-20° C ... +200° C

### Article 508-VA

Pos.	description	material
1	body	stainless steel 1.4408
2	disc	stainless steel 1.4408
3	bonnet	stainless steel 1.4408
4	sealing	PTFE
5	gland ring	stainless steel 1.4301
6	gland packing	PTFE
7	stuffing box	stainless steel 1.4301
8	union nut	stainless steel 1.4408
9	stem	stainless steel 1.4401
10	hand wheel	aluminium, red



	Order number	L (mm)	H (mm)	C (mm)	Kv-value [m³/h]	pressure range (bar)	weight (kg)
diameter	508-VA <b>1.4408</b>						
G 1/2"	22.3016.6.63	55	117,5	70	3,3	15	0,433
G 3/4"	22.3016.6.65	60	127,0	70	6,0	15	0,628
G 1"	22.3016.6.67	65	132,5	80	9,4	15	0,818
G 1 1/4"	22.3016.6.68	75	157,0	80	18,0	15	1,120
G 1 1/2"	22.3016.6.69	85	178,5	90	24,9	15	1,622
G 2"	22.3016.6.71	95	207,5	100	42,8	15	2,270
G 2 1/2"	22.3016.6.72	116	210,0	100	72,8	15	5,220

508-VA\_ENG\_2017\_Rev. 0