

## High pressure shut-off valve, article 62-VA

### cutting ring connection 6S up to 38S

High pressure shut-off valve with adjustable gland packing for use in industrial systems, in which flowing liquids or gaseous media have been shut off. This can also be done under high pressure. The direction is indicated by an arrow.

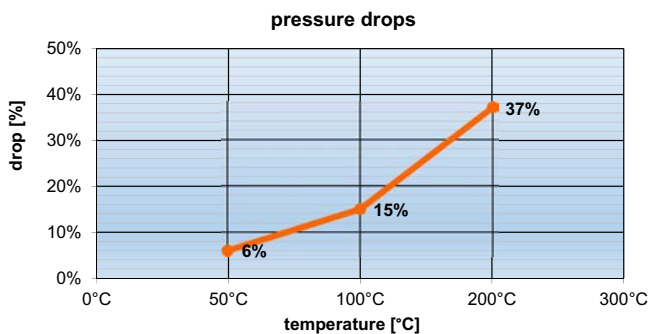
Please observe the pressure reduction from temperatures over +50 °C!

☞ **Both sides with cutting ring connection acc. to DIN 2353, heavy duty series.**



	ambient	-20°C ... +60°C
	medium	-40°C ... +250°C special packing up to +550 °C

#### diagram pressure drops

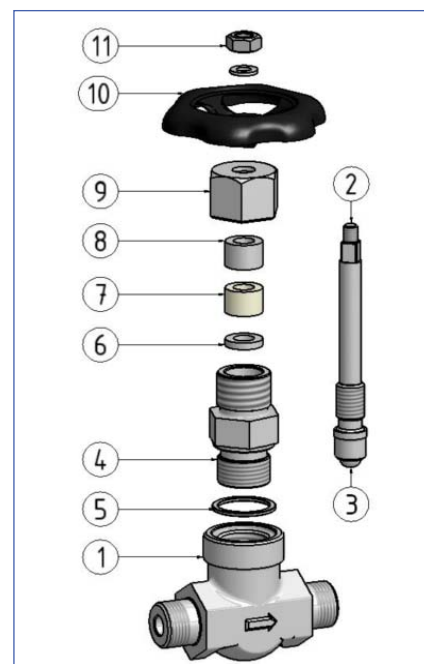


temperature	pressure drop %	max. pressure article 62-VA (6S up to 14S)	max. pressure article 62-VA (16S up to 30S)	max. pressure article 62-VA (38S)
50° C	6%	592,2 bar	376,0 bar	235,0 bar
100° C	15%	535,5 bar	340,0 bar	212,5 bar
200° C	37%	396,9 bar	252,0 bar	157,5 bar

Before risk of frost empty the valve and ensure that the valve is depressurized. Freezing of the fluid may seriously damage the valve.

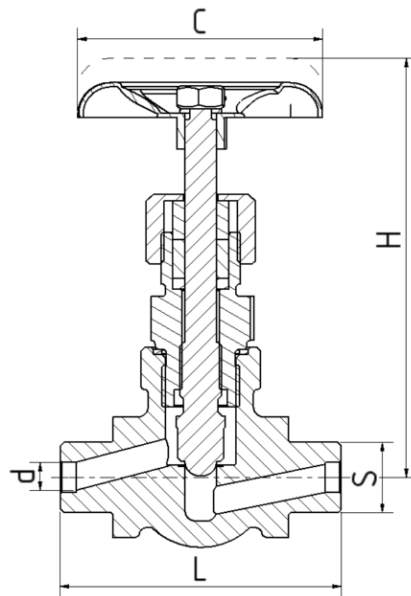
#### Article 62-VA

Pos.	description	material
1	body	stainless steel 1.4571
2	stem	stainless steel 1.4571
3	regulating disc	stainless steel 1.4571
4	head piece	stainless steel 1.4571
5	sealing ring	stainless steel 1.4571
6	lower gland	stainless steel 1.4571
7	gland packing	Teflon
8	upper gland	stainless steel 1.4571
9	union nut	stainless steel 1.4571
10	hand wheel	pressed steel, black
11	hand wheel nut	



## High pressure shut-off valve, article 62-VA

cutting ring connection 6S up to 38S



cutting ring connection S	article number		L (mm)	H (mm)	C (mm)	d (mm)	pressure rating (bar)	Kv-value [m³/h]	weight (kg)
	62-VA	1.4571							
6S	06.1019.6.81-S		80	120	70	4	630	0,33	0,63
8S	06.1019.6.82-S		80	120	70	5	630	0,42	0,67
10S	06.1019.6.83-S		80	120	70	7	630	0,66	0,66
12S	06.1019.6.84-S		80	120	70	8	630	0,83	0,68
14S	06.1019.6.85-S		100	135	90	10	630	1,40	1,09
16S	06.1019.6.87-S		100	135	90	12	400	2,20	1,08
20S	06.1019.6.89-S		100	135	90	13	400	3,00	1,07
25S	06.1019.6.91-S		130	166	100	17	400		1,97
30S	06.1019.6.93-S		130	173	100	25	400	7,80	2,56
38S	06.1019.6.95-S		160	218	150	30	250		4,20