

## Switchbox, article 53-ES with inductive proximity switches

Compact and flexible limit switch box made of conductive vestamide with transparent sight window made of polycarbonate for pneumatic actuators with connection interface in accordance with VDI / VDE 3845 or NAMUR. With two intrinsically safe, inductive proximity switches (Normally open N.C.), **make P+F type NJ2-V3-N** for the position indication "OPEN" and "CLOSE", wired to a 4-fold terminal block. Cover with 2D in-site display.

- Voltage 8,2 V DC
- current consumption  $\leq 1,0$  mA /  $\geq 3,0$  mA (measuring plate) not recorded recorded
- Frequency 1000 Hz
- ATEX Ex-protection II 2 G Ex ia IIC T6 Gb II 2 D Ex ia IIIC T80°C Db
- Ex-zone zone 1, zone 21
- Protection class IP 67
- SIL-Level SIL 1 - 3 (IEC 61508-2010)
- Cable gland M20 x 1,5 blue
- Cable diameter 6,0 mm - 12,0 mm
- Terminal block 4-fold up to 2,5 mm<sup>2</sup>
- Switching cam adjustable
- Temperature range -25° C up to +70° C



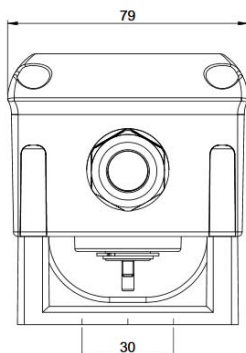
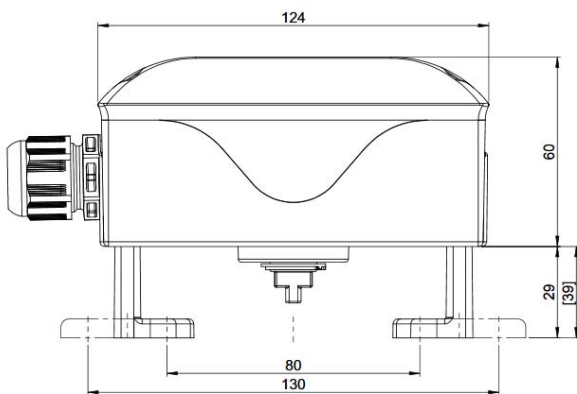
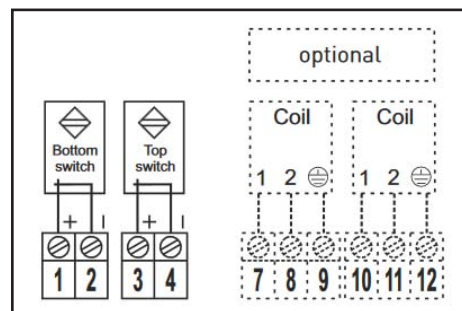
For the own safety



Inductive proximity switches make P+F, type NJ2-V3-N

article-description:	order-No.:
53-ES	184.8719

### Connection plan



### article 53-ES

Pos.	description	material
1	housing base	Vestamide, conductive
2	sight window	Polycarbonate, transparent
3	sealings	EPDM and NBR
4	operating shaft	polyamide PA6
5	switch cams	plastic
6	mounting bracket	polyamide (PA6) + 30% glass fiber
7	terminal block	4-fold up to 2,5 mm <sup>2</sup>
8	cable gland	M20 x 1 blue
9	screws	stainless steel A22

### mounting bracket (adjustable)

- drilling pattern: 80 x 30 mm or 130 x 30 mm
- shaft height: 20,0 mm or 30,0 mm

## Switchbox, article 53-ES with inductive proximity switches

### Variants of limit switch housing



bracket and shaft stainless steel  
order-no.: 184.8719-E



Switch housing aluminum  
bracket and shaft stainless steel  
order-no.: 184.8719-AL

### Options for the limit switch box



Solenoid valve connection  
1 spool

order-no.: 184.8719-MA



Large 3D display  
in the lid  
OPEN / CLOSED

order-no.: 184.8719-D31



M12 connector  
5-pin male

order-no.: 184.8719-M12



thread connection  
NPT 1/2

order-no.: 184.8719-NPT



Pressure compensation  
element avoidance of  
condensation water

order-no.: 184.8719-DAE

