

2-Way threaded ball valve, article SL440-VA with pneumatic actuator, article APD/APS

Diameter G 1/2" up to G 3"

Threaded ball valve series "SLIM-Line", functional execution, designed for general, simple purposes. Two-part screwed stainless steel body with full bore. Stem anti blow-out, mounted from inside. Shaft seal with self-adjusting multilayer PTFE packing rings means by Belleville washer and additional FKM O-Ring.

Applicable for gaseous and liquid media (no steam) under observe of the material resistance stainless steel AISI 316.

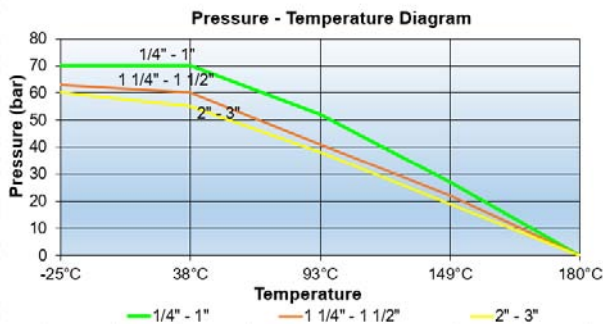
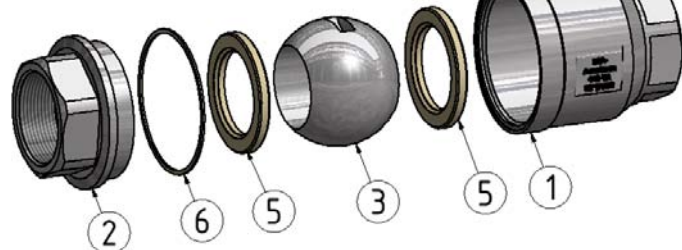
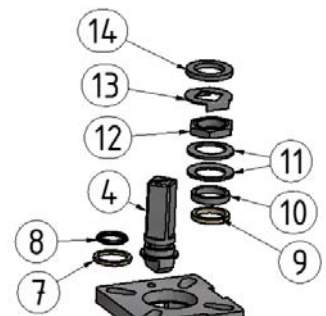
- ☛ **With female thread on both sides according to ISO 228-1 (BSP cylindrical)**
- ☛ **Actuator mounting flange (topflange) according ISO 5211**



	DGRL/PED 2016/68/EU AD 2000, W0
	ATEX EX II2 GD c T2
	Ambient: -20° C ... +80° C
	Medium: -25° C ... +180° C

Pos.	Description	Material
1	Body	Stainless steel A351 CF8M
2	Screw in part	Stainless steel A351 CF8M
3	Ball	Stainless steel AISI 316
4	Shaft	Stainless steel AISI 316
5	Ball seal	RPTFE (15%-glass)
6	Body seal	PTFE
7	Slide ring	PTFE
8	Shaft seal	FKM (Viton) O-Ring
9	Shaft packing set	PTFE-washer
10	Pressure Ring	Stainless steel AISI 316
11	Belleville washer	Stainless steel AISI 301
12	Shaft nut	Stainless steel AISI 304
13	Nut stopper	Stainless steel AISI 304
14	Plate washer	Stainless steel AISI 304

- Design standard DIN EN 12516-1
- Body strenght DIN EN 12516-2
- Design pressure PN 63
- Marking EN 19, MSS SP-25
- Examination / test DIN EN 12266 P10 / P11 / P12

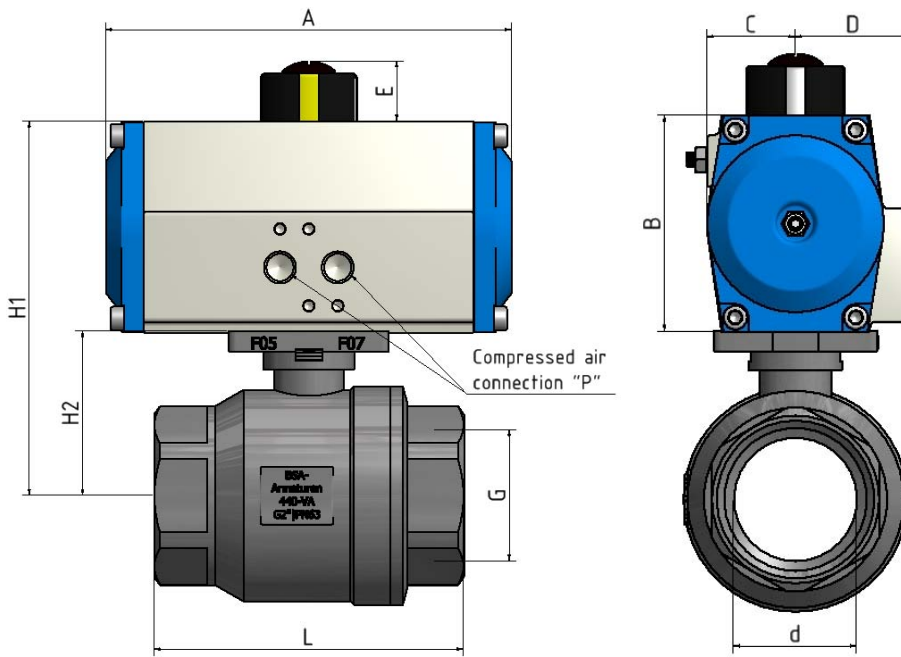


Diameter	1/2"	3/4"	1"	1 1/4"	1 1/2"	2"	2 1/2"	3"
Ball bore Ø	15,0	20,0	25,0	32,0	40,0	50,0	65,0	76,0
KV-value (m³/h)	15,48	30,96	41,28	79,98	124,70	178,02	387,00	642,30

SL440-VA_APD_APS_2021_ENG_Rev.0

2-Way threaded ball valve, article SL440-VA with pneumatic actuator, article APD/APS

Diameter G 1/2" up to G 3"

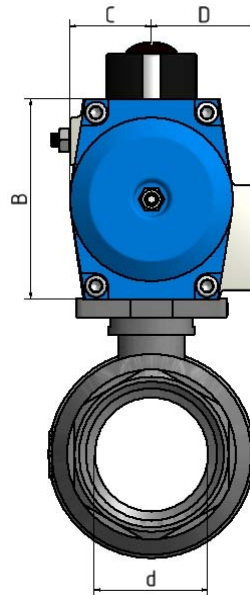
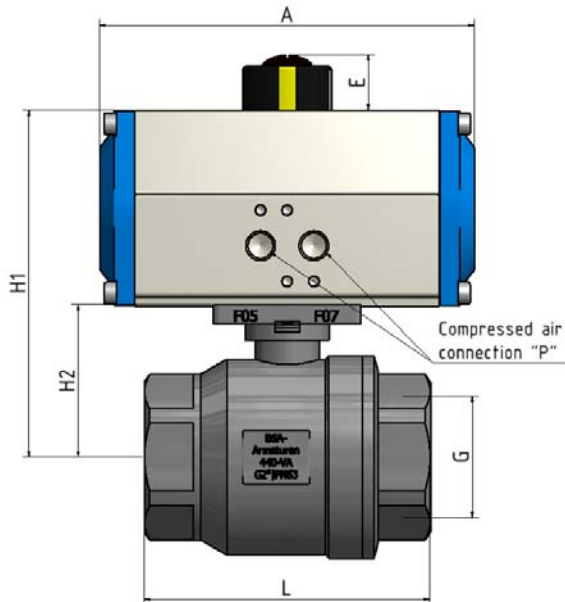


-pneumatic double acting-

Article-No.:													
Diameter	SL440-VA female thread	L (mm)	d (mm)	H1 (mm)	H2 (mm)	A (mm)	B (mm)	C (mm)	D (mm)	E (mm)	P	Design Pressure	Weight (kg)
G 1/2" APD 040	502.3976.6.63 225.8200.5.40	57,0	15,0	97,0	37,0	120,0	60,0	28,5	36,5	20,0	G 1/4"	PN 63	1,20
G 3/4" APD 040	502.3976.6.65 225.8200.5.40	64,0	20,0	102,0	42,0	120,0	60,0	28,5	36,5	20,0	G 1/4"	PN 63	1,35
G 1" APD 050	502.3976.6.67 225.8200.5.50	77,0	25,0	119,5	45,5	146,0	74,0	29,5	41,5	20,0	G 1/4"	PN 63	2,15
G 1 1/4" APD 050	502.3976.6.68 225.8200.5.50	90,0	32,0	128,0	54,0	146,0	74,0	29,5	41,5	20,0	G 1/4"	PN 63	2,60
G 1 1/2" APD 060	502.3976.6.69 225.8200.5.60	105,0	38,0	147,5	59,5	168,0	88,0	36,0	47,0	20,0	G 1/4"	PN 63	4,00
G 2" APD 070	502.3976.6.71 225.8200.5.70	125,0	50,0	167,5	67,5	184,0	100,0	41,5	53,0	20,0	G 1/4"	PN 63	5,65
G 2 1/2" APD 080	502.3976.6.72 225.8200.5.80	153,0	65,0	202,0	93,0	204,0	109,0	45,0	56,0	20,0	G 1/4"	PN 63	8,95
G 3" APD 090	502.3976.6.73 225.8200.5.90	172,0	76,0	229,9	109,9	260,0	120,0	52,0	55,0	20,0	G 1/4"	PN 63	13,10

SL440-VA_APD_APS_2021_ENG_Rev.0

2-Way threaded ball valve, article SL440-VA with pneumatic actuator, article APD/APS Diameter G 1/2" up to G 3"



-pneumatic single acting-
spring to closed spring to open

Diameter	Article-No.	L (mm)	d (mm)	H1 (mm)	H2 (mm)	A (mm)	B (mm)	C (mm)	D (mm)	E (mm)	P	Design pressure	Weight (kg)
	SL440-VA female thread												
G 1/2" APS 050	502.3976.6.63 225.8201.5.50-10 225.8202.5.50-09	57,0	15,0	111,0	37,0	146,0	74,0	29,5	41,5	20,0	G 1/4"	PN 63	2,05
G 3/4" APS 050	502.3976.6.65 225.8201.5.50-11 225.8202.5.50-09	64,0	20,0	116,0	42,0	146,0	74,0	29,5	41,5	20,0	G 1/4"	PN 63	2,15
G 1" APS 060	502.3976.6.67 225.8201.5.60-11 225.8202.5.60-09	77,0	25,0	119,5	45,5	146,0	74,0	29,5	41,5	20,0	G 1/4"	PN 63	3,20
G 1 1/4" APS 070	502.3976.6.68 225.8201.5.70-10 225.8202.5.70-09	90,0	32,0	154,0	54,0	184,0	100,0	41,5	53,0	20,0	G 1/4"	PN 63	4,35
G 1 1/2" APS 080	502.3976.6.69 225.8201.5.80-09 225.8202.5.80-09	105,0	38,0	168,5	59,5	204,0	109,0	45,0	56,0	20,0	G 1/4"	PN 63	5,70
G 2" APS 090	502.3976.6.71 225.8201.5.90-11 225.8202.5.90-09	125,0	50,0	187,5	67,5	260,0	120,0	52,0	55,0	20,0	G 1/4"	PN 63	8,12
G 2 1/2" APS 110	502.3976.6.72 225.8201.5.110-11 225.8202.5.110-09	153,0	65,0	226,0	93,0	268,0	133,0	57,5	64,0	20,0	G 1/4"	PN 63	13,65
G 3" APS 130	502.3976.6.73 225.8201.5.130-11 225.8202.5.130-09	172,0	76,0	264,9	109,9	298,0	155,0	70,0	71,0	20,0	G 1/4"	PN 63	18,60

SL440-VA_APD_APS_2021_ENG_Rev.0