

Lug type butterfly valve, Article 835-GGG with pneumatic actuator

Diameter DN 50 (2") up to DN 300 (12")

Soft seated lug butterfly valve for general, industrial applications. Compact, low weight design and easy mounting between and at DIN flanges thanks the centering alignment lugs. Disc centric in body, 100% both sides bi-directional tight shutt off. The split shaft allows favorable flow design with low pressure loss and a high KV-value.

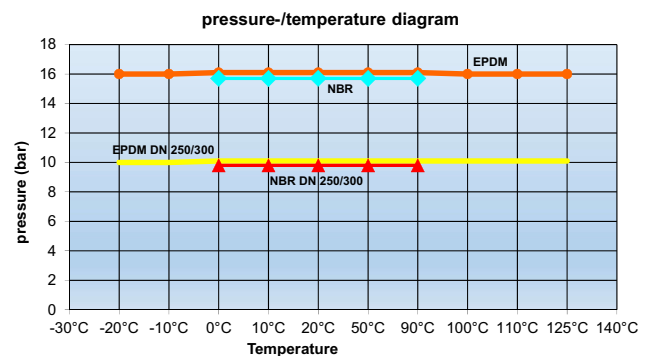
Installation between/at flanges according to DIN EN 1092-1, form B PN 10 / PN 16

Useable as open / close valve as well as for control or dosing of the flow rate.

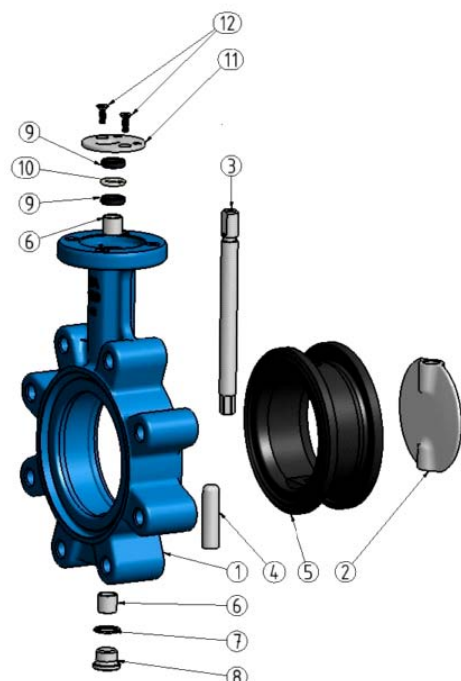


	PED 97/23/EC
	ambient -15°C ... +60°C
	medium with liner EPDM -20° C up to +110° C liner NBR 0° C up to + 90° C

- Face to face dimension: EN 558/20, DIN 3202 K-1, API 609
- Design pressure: 16,0 bar DN 50 up to DN 200
10,0 bar DN 250 up to DN 300
- Elastomer rubber liner exchangeable
- Housing outside powder coating min. 250 µm, Ral 5017
- Marking EN 19, MSS SP-25
- Integrated flange seal **-no additional sealing required-**
- Body with long neck for insulation purposes and dew point barrier as condensation water protection
- Anti-blow out actuator shaft in PTFE bearing bushings guided, low operating moments, no slip stick effect
- Top flange and shaft according to ISO 5211



1 Body	Ductile cast iron ASTM A536 60-40-18
2 Disc	Stainless steel ASTM A351, CF8M
3 Upper shaft	Stainless steel ASTM A276, Gr. 420
4 Lower shaft	Stainless steel ASTM A276, Gr. 420
5 Elastomer liner	optionally EPDM or NBR
6 Bearing	Steel / PTFE
7 Sealing ring	Copper
8 Screw	POM
9 Pressure ring	Hard PVC
10 O-Ring	EPDM or NBR
11 Shaft safety	Polyamide PA6
12 Countersunk screws	Stainless steel A2



Lug type butterfly valve, Article 835-GGG with pneumatic actuator

Diameter DN 50 (2") up to DN 300 (12")

Butterfly valve and pneumatic actuator each enable direct, backlash-free assembly due to their standardized interfaces according to ISO 5211. Modern industrial design and compact construction characterize this pneumatic rotary actuator series. High-quality materials and the robust, reliable design guarantee high availability in daily use.

Depending on the process requirements, there are two versions to choose from:

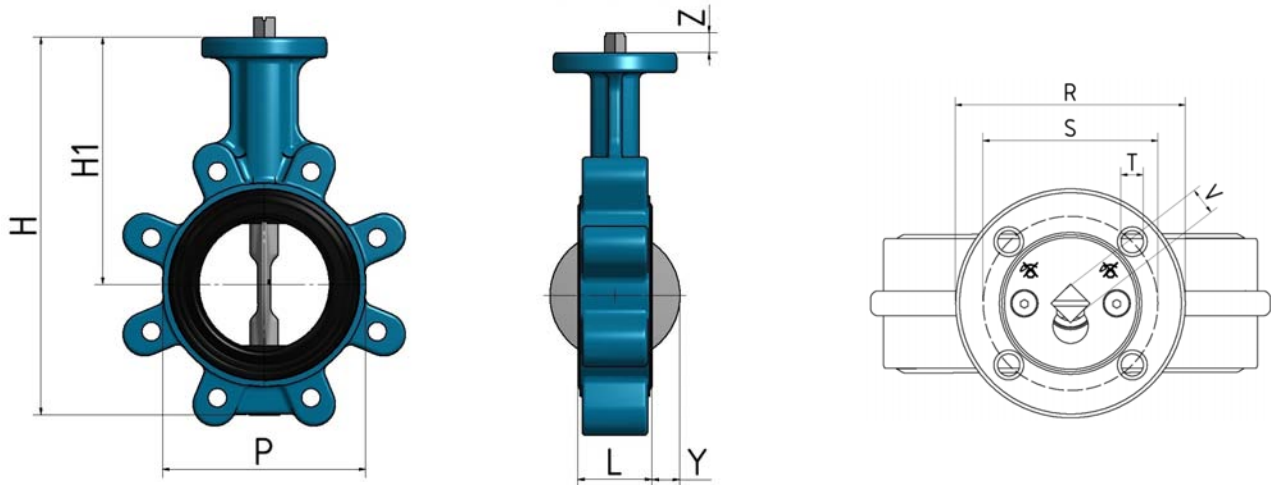
Function double-acting = Pressurization of the air chambers alternately on both sides

Function single-acting = Pressurization of only one air chamber, resetting by built-in spring assemblies (optionally spring-opening or spring-closing)

Quality of the control medium filtered compressed air according to DIN/ISO 8573-1, class 4.

The unit is always delivered adjusted and tested ready for operation.

Further information on the pneumatic actuators can be found in the individual data sheets.



Diameter	P (mm)	L (mm)	Y (mm)	H (mm)	H1 (mm)	Z (mm)	R (mm)	S (mm)	T (mm)	V (mm)	ISO 5211 Mounting flange	Flange connection	Weight (kg)
DN 50	92	43	3,5	188	125	16	67	50	7	9	F05	PN 10/16	4,0
DN 65	115	46	9,0	226	150	16	67	50	7	9	F05	PN 10/16	4,8
DN 80	130	46	16,0	240	157	16	67	50	7	9	F05	PN 10/16	6,3
DN 100	148	52	23,0	278	182	19	92	70	9	11	F07	PN 10/16	9,3
DN 125	181	56	33,0	314	201	25	92	70	9	14	F07	PN 10/16	11,7
DN 150	206	56	46,0	340	214	25	92	70	9	14	F07	PN 10/16	12,9
DN 200	261	60	69,0	400	245	30	92	70	9	17	F07	PN 10/16	16,9
DN 250	316	68	90,0	478	283	39	130	102	11	22	F10	PN 10	27,7
DN 300	372	78	110,0	528	308	39	130	102	11	22	F10	PN 10	38,0

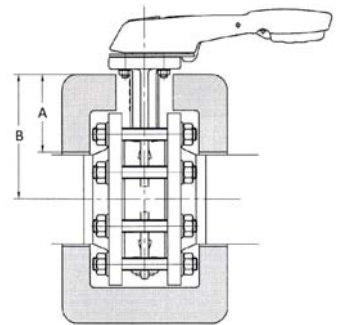
835-GGG_DR_SC_ENG_2021_Rev. 0

Lug type butterfly valve, Article 835-GGG with pneumatic actuator

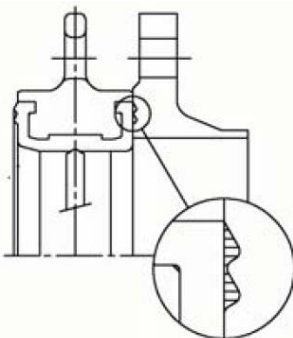
Diameter DN 50 (2") up to DN 300 (12")

Flow characteristics / Operating torques Nm (fluid: water) / Insulation

Diameter	Flow characteristics			Operation torques Nm			Diameter	Insulation according to the heating and installation system ordinance IV (12/94)	
	KV	CV	Zeta	up to 6,0 bar	up to 10,0 bar	up to 16,0 bar		A	B
DN 50 (2")	91	106	1,18	12	13	13	DN 50 (2")	50	107,5
DN 65 (2 1/2")	206	239	0,66	18	18	20	DN 65 (2 1/2")	65	125,0
DN 80 (3")	436	506	0,34	25	26	28	DN 80 (3")	80	140,0
DN 100 (4")	660	766	0,36	39	41	44	DN 100 (4")	100	160,0
DN 125 (5")	1300	1508	0,22	65	69	75	DN 125 (5")	100	175,0
DN 150 (6")	2100	2436	0,18	91	97	110	DN 150 (6")	100	192,5
DN 200 (8")	4100	4756	0,15	180	190	210	DN 200 (8")	100	220,0
DN 250 (10")	6090	7065	0,17	275	315		DN 250 (10")	100	252,5
DN 300 (12")	9570	11100	0,14	390	440		DN 300 (12")	100	280,0



Remark: when using non-lubricating media (e.g., air / gas) the torque increases by 40%



Liner with integrated sealing strip, no additional flange gaskets required

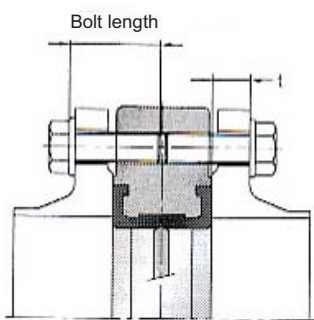
Operating-variants:



DN 50 up to DN 100

DN 125 up to DN 300

Bolt length for mounting between DIN flanges

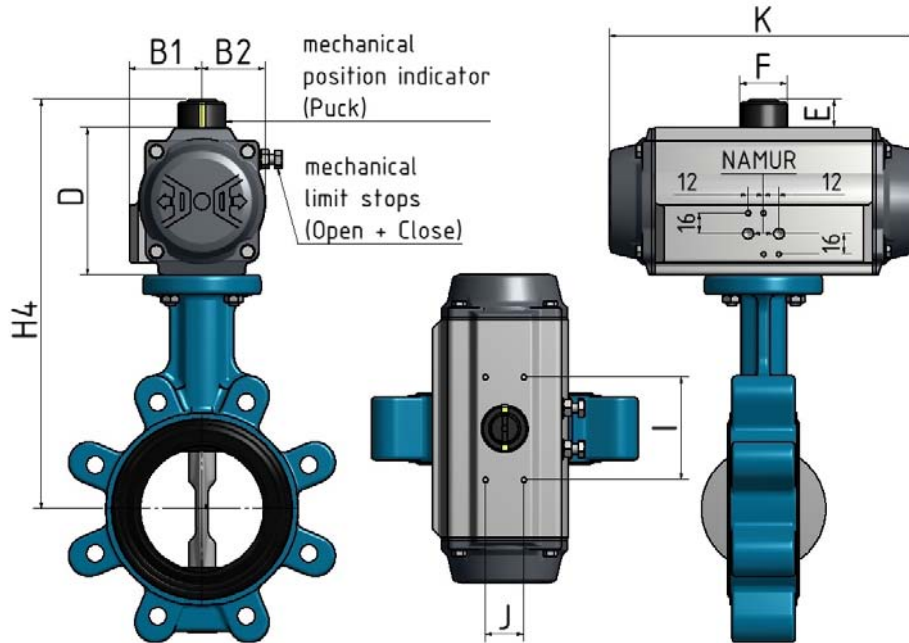


Diameter	pressure range PN 10			pressure range PN 16		
	quantity / size screws	Flange thickness "t"	Bolt length	quantity / size screws	Flange thickness "t"	Bolt length
DN 50 (2")	4 + 4 M16	18	35	4 + 4 M16	18	35
DN 65 (2 1/2")	4 + 4* M16	18	35	4 + 4* M16	18	35
DN 80 (3")	8 + 8 M16	20	40	8 + 8 M16	20	40
DN 100 (4")	8 + 8 M16	20	40	8 + 8 M16	20	40
DN 125 (5")	8 + 8 M16	22	45	8 + 8 M16	22	45
DN 150 (6")	8 + 8 M20	22	45	8 + 8 M20	22	45
DN 200 (8")	8 + 8 M20	24	50	12 + 12 M20	24	50
DN 250 (10")	12 + 12 M20	26	55			
DN 300 (12")	12 + 12 M20	26	60			

***Remark.:** On request also with 8 + 8 drillings according to EN 1092

Lug type butterfly valve, Article 835-GGG with pneumatic actuator

Diameter DN 50 (2") up to DN 300 (12")



Longitudinal construction standard, if transverse construction desired, please indicate when ordering.

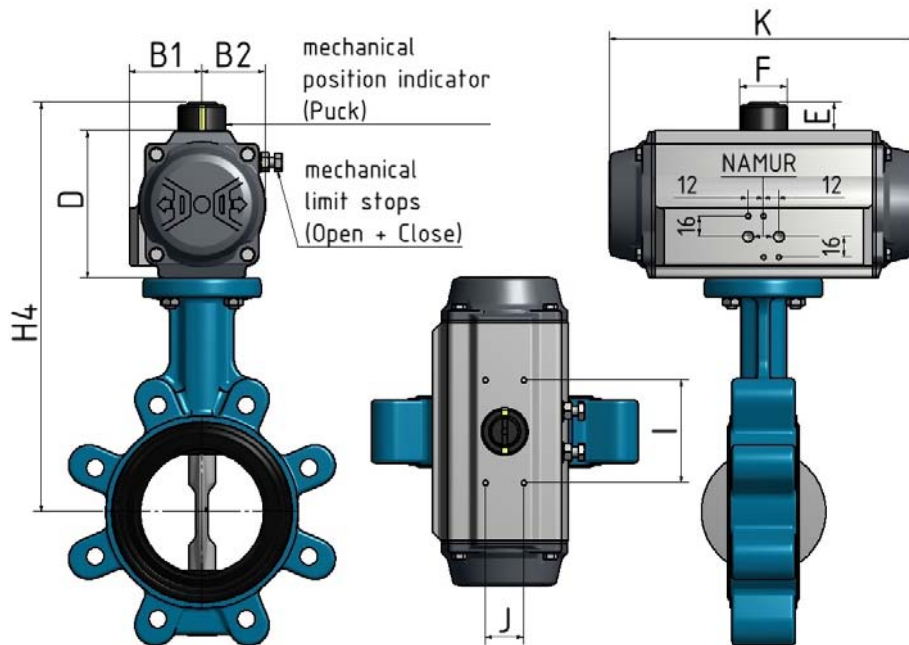
- pneumatic double acting -

Diameter	Article-numbers		Body ductile cast iron ASTM A536 60-40-18 / Disc stainless steel ASTM A351, CF8M										Air connection	Weight (kg)
	Liner EPDM	Liner NBR	H4 (mm)	D (mm)	B1 (mm)	B2 (mm)	J (mm)	I (mm)	K (mm)	F (mm)	E (mm)			
DN 50	281.2617.3.21-FW	281.2618.3.21-FW	230	85	48,5	36,0	30	80	153,5	37	20	G 1/8"	5,21	
DR 30	86.8200.5.30	86.8200.5.30												
DN 65	281.2617.3.24-FW	281.2618.3.24-FW	255	85	48,5	36,0	30	80	153,5	37	20	G 1/8"	6,01	
DR 30	86.8200.5.30	86.8200.5.30												
DN 80	281.2617.3.25-FW	281.2618.3.25-FW	279	102	50,5	42,5	30	80	203,5	37	20	G 1/8"	8,58	
DR 60	86.8200.5.60	86.8200.5.60												
DN 100	281.2617.3.27-FW	281.2618.3.27-FW	304	102	50,5	42,5	30	80	203,5	37	20	G 1/8"	11,28	
DR 60	86.8200.5.60	86.8200.5.60												
DN 125	281.2617.3.28-FW	281.2618.3.28-FW	336	115	56,5	49,5	30	80	241,0	37	20	G 1/4"	16,15	
DR 100	86.8200.5.100	86.8200.5.100												
DN 150	281.2617.3.29-FW	281.2618.3.29-FW	361	127	63,0	55,5	30	80	259,0	37	20	G 1/4"	17,15	
DR 150	86.8200.5.150	86.8200.5.150												
DN 200	281.2617.3.31-FW	281.2618.3.31-FW	432	157	77,0	69,5	30	80	333,0	51	30	G 1/4"	25,97	
DR 300	86.8200.5.300	86.8200.5.300												
DN 250	281.2617.3.33-FW	281.2618.3.33-FW	490	177	86,0	80,0	30	80	394,5	60	30	G 1/4"	42,40	
DR 450	86.8200.5.450	86.8200.5.450												
DN 300	281.2617.3.34-FW	281.2618.3.34-FW	534	196	93,0	88,0	30	80	422,5	60	30	G 1/4"	56,10	
DR 600	86.8200.5.600	86.8200.5.600												

835-GGG_DR_SC_ENG_2021_Rev.0

Lug type butterfly valve, Article 835-GGG with pneumatic actuator

Diameter DN 50 (2") up to DN 300 (12")



Longitudinal construction standard, if transverse construction desired, please indicate when ordering.

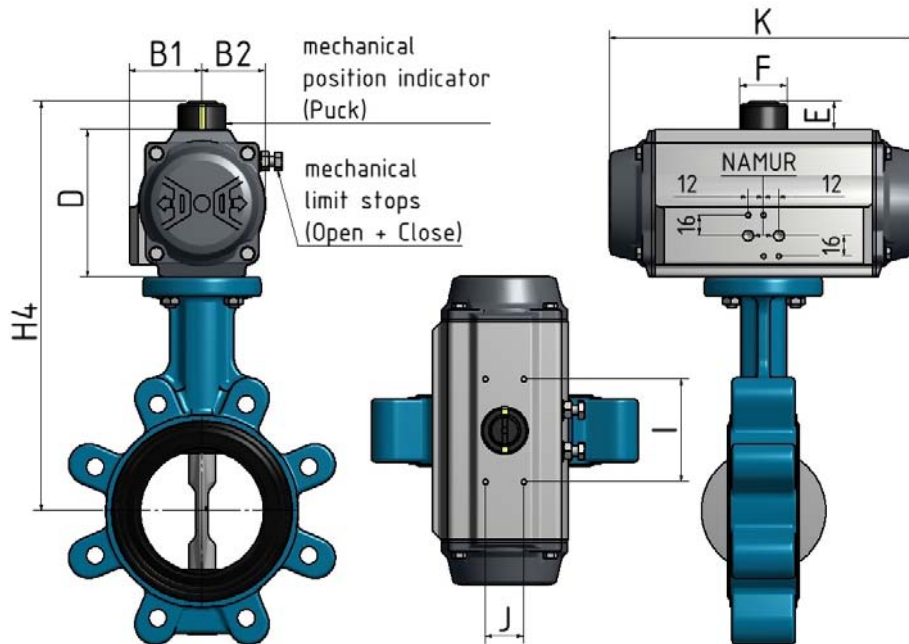
- pneumatic single acting -

Diameter	Article-numbers		Body ductile cast iron ASTM A536 60-40-18 / Disc stainless steel ASTM A351, CF8M										
	spring closing		H4 (mm)	D (mm)	B1 (mm)	B2 (mm)	J (mm)	I (mm)	K (mm)	F (mm)	E (mm)	Air connection	Weight (kg)
	Liner EPDM	Liner NBR											
DN 50	281.2617.3.21-FW	281.2618.3.21-FW	230	102,0	50,5	42,5	30	80	203,5	37	20	G 1/8"	6,61
SC 60	86.8201.5.60-10	86.8201.5.60-10											
DN 65	281.2617.3.24-FW	281.2618.3.24-FW	255	102,0	50,5	42,5	30	80	203,5	37	20	G 1/8"	7,41
SC 60	86.8201.5.60-11	86.8201.5.60-11											
DN 80	281.2617.3.25-FW	281.2618.3.25-FW	304	115,0	56,5	49,5	30	80	241,0	37	20	G 1/8"	10,22
SC 100	86.8201.5.100-10	86.8201.5.100-10											
DN 100	281.2617.3.27-FW	281.2618.3.27-FW	336	127,0	63,0	55,5	30	80	259,0	37	20	G 1/4"	14,52
SC 150	86.8201.5.150-11	86.8201.5.150-11											
DN 125	281.2617.3.28-FW	281.2618.3.28-FW	346	145,0	72,0	64,0	30	80	304,0	51	30	G 1/4"	20,28
SC 220	86.8201.5.220-11	86.8201.5.220-11											
DN 150	281.2617.3.29-FW	281.2618.3.29-FW	371	157,0	77,0	69,5	30	80	333,0	51	30	G 1/4"	24,17
SC 300	86.8201.5.300-11	86.8201.5.300-11											
DN 200	281.2617.3.31-FW	281.2618.3.31-FW	442	196,0	93,0	88,0	30	80	422,5	60	30	G 1/4"	37,10
SC 600	86.8201.5.600-11	86.8201.5.600-11											
DN 250	281.2617.3.33-FW	281.2618.3.33-FW	510	245,0	111,5	110,0	30	130	528,0	68	50	G 1/4"	70,00
SC 1200	86.8201.5.1200-10	86.8201.5.1200-10											
DN 300	281.2617.3.34-FW	281.2618.3.34-FW	554	298,5	131,0	131,0	30	130	605,0	104	50	G 3/8"	104,90
SC 2000	86.8201.5.2000-10	86.8201.5.2000-10											

835-GGG_DR_SC_ENG_2021_Rev.0

Lug type butterfly valve, Article 835-GGG with pneumatic actuator

Diameter DN 50 (2") up to DN 300 (12")



Longitudinal construction standard, if transverse construction desired, please indicate when ordering.

- pneumatic single acting -

Diameter	Article-numbers		Body ductile cast iron ASTM A536 60-40-18 / Disc stainless steel ASTM A351, CF8M										Air connection	Weight (kg)
	spring opening Liner EPDM	Liner NBR	H4 (mm)	D (mm)	B1 (mm)	B2 (mm)	J (mm)	I (mm)	K (mm)	F (mm)	E (mm)			
DN 50	281.2617.3.21-FW	281.2618.3.21-FW	230	102,0	50,5	42,5	30	80	203,5	37	20	G 1/8"	6,58	
SC 60	86.8202.5.60-10	86.8202.5.60-10												
DN 65	281.2617.3.24-FW	281.2618.3.24-FW	255	102,0	50,5	42,5	30	80	203,5	37	20	G 1/8"	7,35	
SC 60	86.8202.5.60-09	86.8202.5.60-09												
DN 80	281.2617.3.25-FW	281.2618.3.25-FW	279	115,0	56,5	49,5	30	80	241,0	37	20	G 1/8"	10,22	
SC 100	86.8202.5.100-10	86.8202.5.100-10												
DN 100	281.2617.3.27-FW	281.2618.3.27-FW	304	127,0	63,0	56,5	30	80	259,0	37	20	G 1/4"	14,45	
SC 150	86.8202.5.150-10	86.8202.5.150-10												
DN 125	281.2617.3.28-FW	281.2618.3.28-FW	346	145,0	72,0	64,0	30	80	304,0	51	30	G 1/4"	20,06	
SC 220	86.8202.5.220-09	86.8202.5.220-09												
DN 150	281.2617.3.29-FW	281.2618.3.29-FW	371	157,0	77,0	69,5	30	80	333,0	51	30	G 1/4"	23,77	
SC 300	86.8202.5.300-09	86.8202.5.300-09												
DN 200	281.2617.3.31-FW	281.2618.3.31-FW	442	196,0	93,0	88,0	30	80	422,5	60	30	G 1/4"	36,50	
SC 600	86.8202.5.600-09	86.8202.5.600-09												
DN 250	281.2617.3.33-FW	281.2618.3.33-FW	510	245,0	111,5	110,5	30	130	528,0	68	50	G 1/4"	70,00	
SC 1200	86.8202.5.1200-10	86.8202.5.1200-10												
DN 300	281.2617.3.34-FW	281.2618.3.34-FW	554	298,5	131,0	131,0	30	130	605,0	104	50	G 3/8"	104,90	
SC 2000	86.8202.5.2000-10	86.8202.5.2000-10												

835-GGG_DR_SC_ENG_2021_Rev.0