

Switchbox, article 63-ES, with mechanical Ex d switch



Ex d Switch

Compact and flexible limit switch box made of conductive vestamide with sight window made of transparent polycarbonate for pneumatic actuators with connection diagram in accordance with VDI / VDE 3845, or NAMUR. With two mechanical Ex d switches **make Bartec Type 07-1511-3530** for the position indication "OPEN" and "CLOSE", wired to a 6-fold terminal block. Lid with optical 2D on-site display.



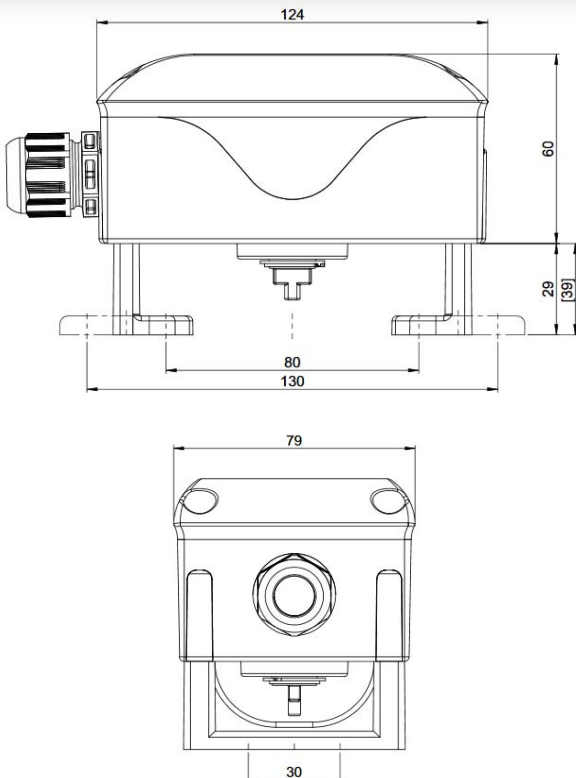
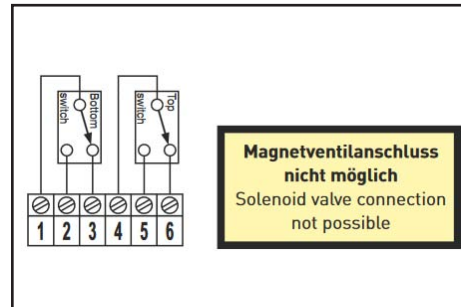
mechanical Ex d switch
make Bartec, type 07-1511-3530

- Voltage max. current 5 - 30 V DC, 4 - 400 mA
- Contacts Gold
- Function N.O. / N.C:
- ATEX Ex protection II 2 G Ex de IIC T6 Gb
II 2 D Ex t IIIC T80°C Db
- Ex-zone zone 1, zone 21
- Protection class IP 67
- SIL-level SIL 1 - 3 (IEC 61508-2010)
- Cable gland M20 x 1,5 black
- Cable diameter 5,5 mm - 13,0 mm
- Terminal block 6-fold up to 2,5 mm²
- Switching cam adjustable
- Temperature range -20° C up to +40° C
- Display LED yellow



article-description:	order-No.:
63-ES	184.8795

Connection plan



article 63-ES

Pos.	description	material
1	housing base	Vestamide, conductive
2	sight window	Polycarbonate, transparent
3	sealings	EPDM and NBR
4	operating shaft	polyamide PA6
5	switch cams	plastic
6	mounting bracket	polyamide (PA6) + 30% glass fiber
7	terminal block	4-fold up to 2,5 mm ²
8	cable gland	M20 x 1 blue
9	screws	stainless steel A2

mounting bracket (adjustable)

- drilling pattern: 80 x 30 mm and 130 x 30 mm
- shaft height: 20 mm and 30 mm

Switchbox, article 63-ES, with mechanical Ex d switch

Variants of limit switch housing



bracket and shaft stainless steel
order-no.: 184.8795-E



Switch housing aluminum
bracket and shaft stainless steel
order-no.: 184.8795-AL

Options for the limit switch box



large 3D display
in the lid
OPEN / CLOSED
order-no.: 184.8795-D31



M12 connector
5-pin male
order-no.: 184.8795-M12



thread connection
NPT 1/2
order-no.: 184.8795-NPT



Pressure compensation
element avoidance of
condensation water
order-no.: 184.8795-DAE

