

shut-off valve, article 64-V2A and 64-VA

cutting ring connection 6L up to 12L

High-pressure shut-off valves with adjustable gland packing for use in industrial systems in which flowing liquids or gaseous media have been shut off. This can also be done under high pressure. The direction of flow is indicated on the body by an arrow.

Please observe the pressure reduction from temperatures over +50 °C!

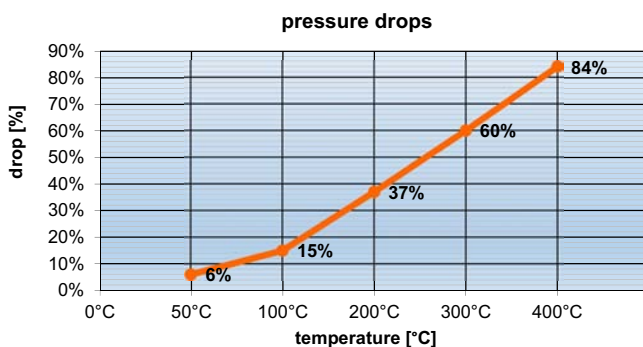
☞ **Both sides cutting ring connection acc. to DIN 2353/ EN ISO 8434-1 light duty series.**

With special packing useable up to temperatures of 550 °C.



	ambient		
	64-V2A	-20°C ... +60°C	
	64-VA	-20°C ... +60°C	
	medium		
	64-V2A	-40°C ... +400°C	
	64-VA	-40°C ... +250°C	special packing up to +550 °C

diagram pressure drops

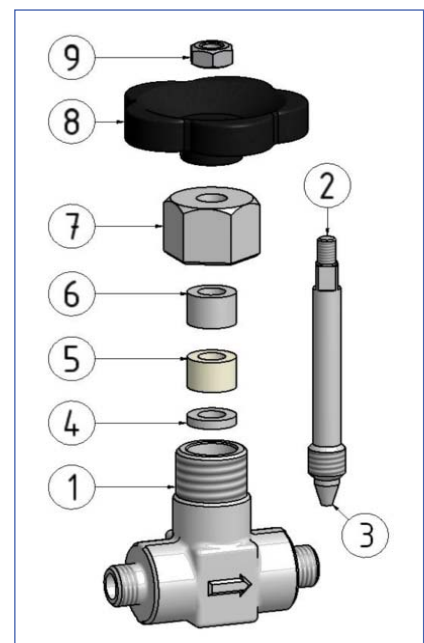


Before risk of frost empty the valve and ensure that the valve is depressurized. Freezing of the fluid may seriously damage the valve.

temperature	pressure drop %	max. pressure article 64-V2A	max. pressure article 64-VA
50° C	6%	296,1 bar	296,1 bar
100° C	15%	267,75 bar	267,75 bar
200° C	37%	198,45 bar	198,45 bar
300° C	60%	126,0 bar	./.
400° C	84%	50,4 bar	./.

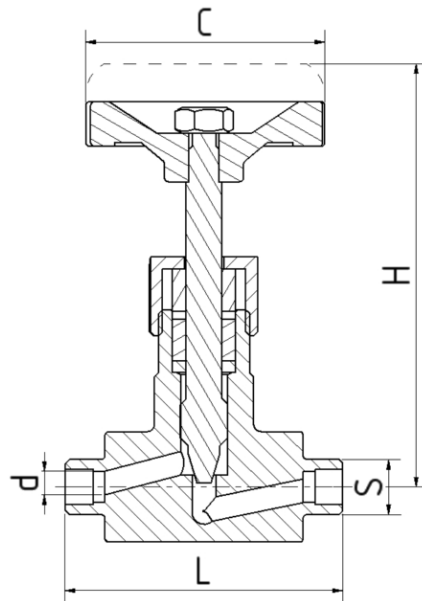
Article 64

Pos.	description	64-V2A material	64-VA material
1	body	stainless steel 1.4104	stainless steel 1.4571
2	stem	stainless steel 1.4104	stainless steel 1.4571
3	regulating disc	stainless steel 1.4104	stainless steel 1.4571
4	lower gland	steel 1.0711 (9 S 20 K)	stainless steel 1.4571
5	gland packing	graphite	Teflon
6	upper gland	steel 1.0711 (9 S 20 K)	stainless steel 1.4571
7	union nut	steel 1.0711 (9 S 20 K)	stainless steel 1.4571
8	hand wheel	hard pressed plastic, black	hard pressed plastic, black
9	hand wheel nut		



shut-off valve, article 64-V2A and 64-VA

cutting ring connection 6L up to 12L



cutting ring connection S	article no.		L (mm)	H (mm)	C (mm)	d (mm)	pressure rating (bar)	Kv-value [m³/h]	weight (kg)
	64-V2A 1.4104	64-VA 1.4571							
6L	-	06.1008.6.81-L	70	100	63	4	315	0,33	0,45
8L	06.1008.5.82-L	06.1008.6.82-L	70	100	63	5	315	0,42	0,44
10L	06.1008.5.83-L	06.1008.6.83-L	70	100	63	6	315	0,53	0,50
12L	06.1008.5.84-L	06.1008.6.84-L	70	100	63	6	315	0,53	0,60

64-V2A, 64-VA_ENG_2021_Rev. 0