

ball hose bibcock, article 11-MS frost proof version to -20° C

diameter G 1/2"



	ambient -20°C ... +60°C
	medium -20°C ... +80°C

ball hose bibcock as a tap fitting especially designed for frost proof outdoor use to -20 °C.

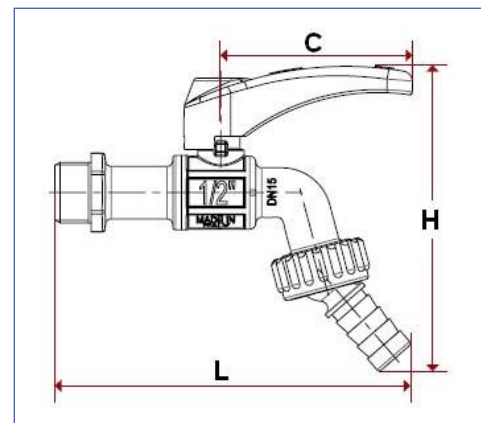
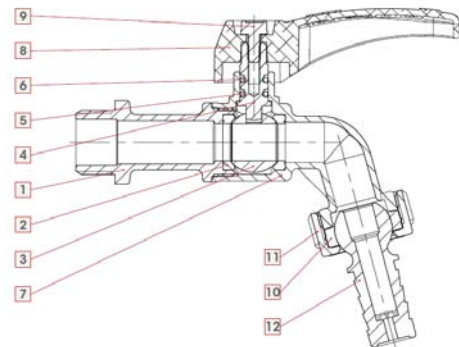
One side with external threads acc. to DIN/ISO 228 other side hose connection acc. to standard.

Handle with ergonomically form. Hose connection pivoted and rotated bay 360°, prevents pushing in of the hose.

Sizes	Hose nozzle Ø
1/2"	13 mm hose

article 11-MS

Pos.	description	material
1	body	brass CW 617N nickel-plated
2	ball seat	PTFE
3	ball	brass CW 614N chrome-plated
4	stem	brass CW 614 N
5	stem sealing	NBR
6	stem sealing	Viton
7	connection housing	brass CW 617N nickel-plated
8	handle	aluminium -green-
9	lever screw	galvanised steel CB4
10	gland ring	NBR
11	union nut	nylon
12	hose connection	nylon



	article-no	L (mm)	H (mm)	C (mm)	pressure rating (bar)	weight (kg)
diameter	article 11-MS					
G 1/2"	26.3602.0.63	122	103	66	15	0,28