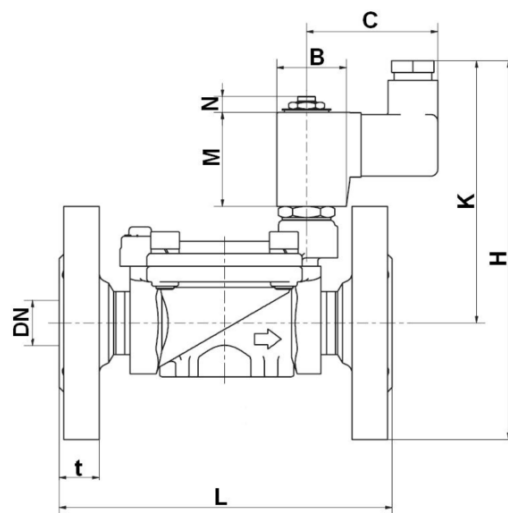


2/2-way solenoid valve, article 228-VA -pilot operated- diameter DN 15 up to DN 50

Valve options:

- free of oil and grease
- manual operations
- varying medium and viscosity ranges
- different temperatures and pressures
- Ex-proof areas II 2G EEx md IIc, T4, T5 or T6
- position indicator (limit switch from DN 20)
- adjustable closing damping (from DN 20)
- free of non-ferrous metal
- version of temperature up to +130°C
- sealed core

description	material
body	stainless steel 1.4581
internal parts	stainless steel 1.4104
sealing	NBR (standard) optionally EPDM, FKM



diameter	L (mm)	H (mm)	K (mm)	C (mm)	B (mm)	N (mm)	M (mm)	t (mm)	Pg (mm)	Kv-value [m³/h]	pressure range max. (bar)	weight (kg)
DN 15	130	130	97	58	35 x 32	10	40	16	11	3,9	0,3 - 20	3,0
DN 20	150	143	105	58	35 x 32	10	40	18	11	10,8	0,3 - 20	4,0
DN 25	160	148	105	58	35 x 32	10	40	18	11	13,0	0,3 - 20	4,5
DN 32	180	170	120	58	35 x 32	10	40	18	11	30,0	0,5 - 16	6,0
DN 40	200	175	120	58	35 x 32	10	40	18	11	32,0	0,5 - 16	7,5
DN 50	230	198	135	58	35 x 32	10	40	20	11	45,0	0,5 - 16	10,0

diameter	order number							
	AC voltage				DC voltage			
	power consumption 24 / 15 VA		power consumption 35 / 24 VA		power consumption 11 Watt		power consumption 18,5 Watt	
normally closed	pressure range (bar)	normally open	pressure range (bar)	normally closed	pressure range (bar)	normally open	pressure range (bar)	
DN 15	21.1114.6.11		21.1115.6.11		21.1116.6.11		21.1117.6.11	
DN 20	21.1114.6.13	0,3 - 16	21.1115.6.13	0,3 - 20	21.1116.6.13	0,3 - 20	21.1117.6.13	0,3 - 20
DN 25	21.1114.6.15		21.1115.6.15		21.1116.6.15		21.1117.6.15	
DN 32	21.1114.6.18		21.1115.6.18		21.1116.6.18		21.1117.6.18	
DN 40	21.1114.6.19	0,5 - 16	21.1115.6.19	0,5 - 16	21.1116.6.19	0,5 - 16	21.1117.6.19	0,5 - 16
DN 50	21.1114.6.21		21.1115.6.21		21.1116.6.21		21.1117.6.21	

228-VA_ENG_2017_Rev. 0