

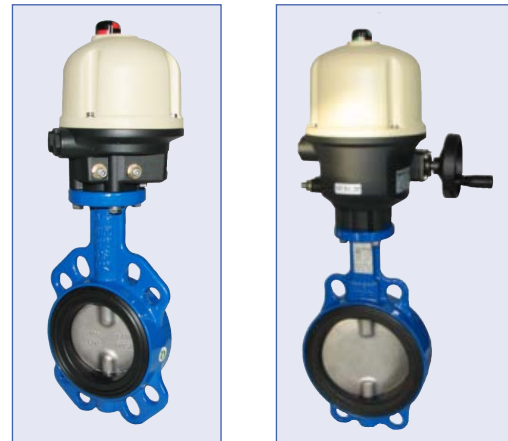
Wafer type butterfly valve, Article 830-GGG with electrical actuator

Diameter DN 50 (2") up to DN 300 (12")

Soft seated wafer butterfly valve for general, industrial applications. Compact, low weight design and easy mounting between DIN and ANSI flanges thanks the centering alignment lugs. Disc centric in body, 100% both sides bi-directional tight shutt off. The split shaft allows favorable flow design with low pressure loss and a high KV-value.

Installation between flanges according to DIN EN 1092-1, form B PN 10 / PN 16 and ASME B16.5, class 150

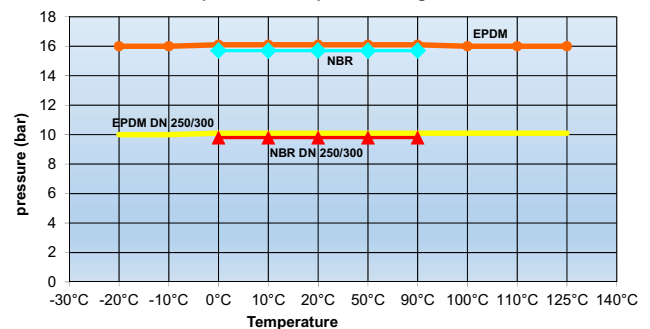
Useable as open / close valve as well as for control or dosing of the flow rate.



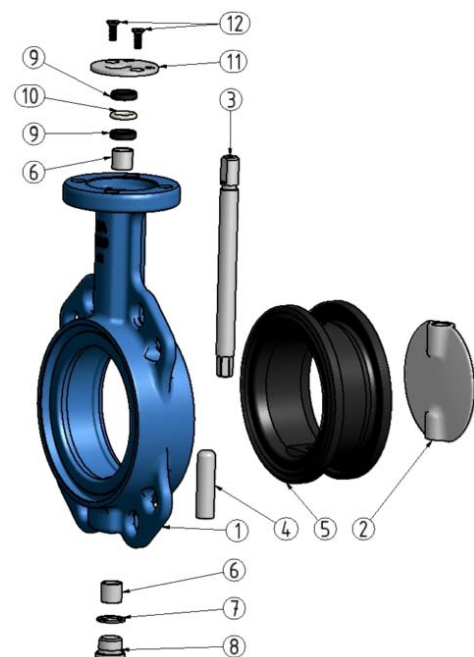
	PED 97/23/EC
	ambient -15°C ... +60°C
	medium with liner EPDM -20° C up to +110° C liner NBR 0° C up to + 90° C

- Face to face dimension: EN 558/20, DIN 3202 K-1, API 609
- Design pressure: 16,0 bar DN 50 up to DN 200
10,0 bar DN 250 up to DN 300
- Elastomer rubber liner exchangeable
- Housing outside powder coating min. 250 µm, Ral 5017
- Marking EN 19, MSS SP-25
- Integrated flange seal **-no additional sealing required-**
- Body with long neck for insulation purposes and dew point barrier as condensation water protection
- Anti-blow out actuator shaft in PTFE bearing bushings guided, low operating moments, no slip stick effect
- Top flange and shaft according to ISO 5211

pressure-/temperature diagram



1	Body	Ductile cast iron ASTM A536 60-40-18
2	Disc	Stainless steel ASTM A351, CF8M
3	Upper shaft	Stainless steel ASTM A276, Gr. 420
4	Lower shaft	Stainless steel ASTM A276, Gr. 420
5	Elastomer liner	optionally EPDM or NBR
6	Bearing	Steel / PTFE
7	Sealing ring	Copper
8	Screw	POM
9	Pressure ring	Hard PVC
10	O-Ring	EPDM or NBR
11	Fixing Plate	Polyamide PA6
12	Countersunk screws	Stainless steel A2



830-GGG_AQL-AQ_ENG_2021_Rev.0

Wafer type butterfly valve, Article 830-GGG with electrical actuator

Diameter DN 50 (2") up to DN 300 (12")

Butterfly valve and electric actuator, each with standardized interface according to ISO 5211, enable direct, backlash-free assembly.

Modern design and compact construction characterize this series of electric part-turn actuators. The simple but robust and reliable design guarantees high availability in daily industrial use. The actuators are maintenance-free and completely pre-wired internally. The self-locking gear with high-performance grease filling guarantees a long service life. The unit is delivered ready for connection, adjusted and tested.

Depending on the process requirements, there are two versions to choose from:

- a) OPEN / CLOSED operation class A according to EN 15714-2
- b) Jog mode or positioning operation, class B (S4 - 30%, motor power up to 120 starts per hour at peak load) according to EN 15714-2.

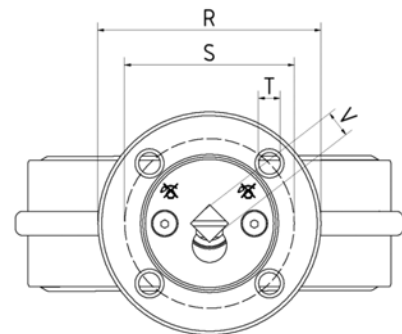
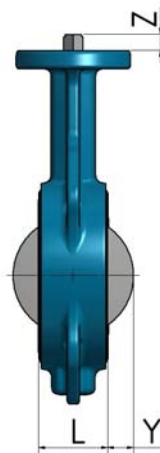
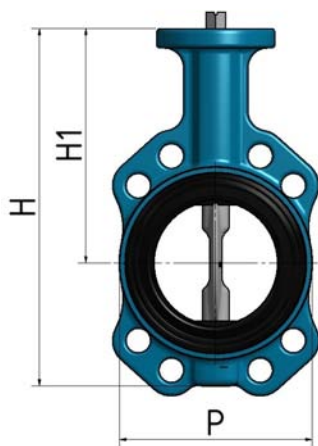
Further information on the electric drives can be found in the individual data sheets.



DN 50 up to DN 100



DN 125 up to DN 300



Diameter	P (mm)	L (mm)	Y (mm)	H (mm)	H1 (mm)	Z (mm)	R (mm)	S (mm)	T (mm)	V (mm)	ISO 5211 Mounting flange	Weight (kg)
DN 50 (2")	92	43	3,5	188	125	16	67	50	7	9	F05	2,9
DN 65 (2 1/2")	115	46	9,0	226	150	16	67	50	7	9	F05	3,4
DN 80 (3")	130	46	16,0	240	157	16	67	50	7	9	F05	4,4
DN 100 (4")	148	52	23,0	278	182	19	92	70	9	11	F07	5,7
DN 125 (5")	181	56	33,0	314	201	25	92	70	9	14	F07	6,7
DN 150 (6")	206	56	46,0	340	214	25	92	70	9	14	F07	9,9
DN 200 (8")	261	60	69,0	400	245	30	92	70	9	17	F07	13,9
DN 250 (10")	316	68	90,0	478	283	39	130	102	11	22	F10	26,62
DN 300 (12")	372	78	110,0	528	308	39	130	102	11	22	F10	35,62

830-GGG_AQL-AQ_ENG_2021_Rev.0

Wafer type butterfly valve, Article 830-GGG



DN 50 (2")



DN 65 (2 1/2") - DN 100 (4")



DN 125 (5") - DN 200 (8")

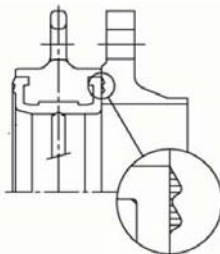
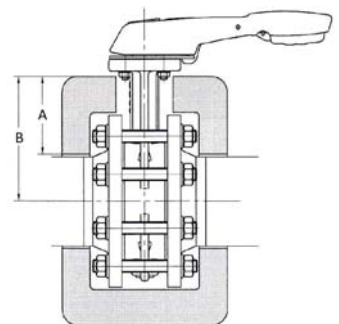


DN 250 (10") - DN 300 (12")

Flow characteristics / Operating torques Nm (fluid: water) / Insulation

Diameter	Flow characteristics			Operation torques Nm		
	KV	CV	Zeta	up to 6,0 bar	up to 10,0 bar	up to 16,0 bar
DN 50 (2")	91	106	1,18	12	13	13
DN 65 (2 1/2")	206	239	0,66	18	18	20
DN 80 (3")	436	506	0,34	25	26	28
DN 100 (4")	660	766	0,36	39	41	44
DN 125 (5")	1300	1508	0,22	65	69	75
DN 150 (6")	2100	2436	0,18	91	97	110
DN 200 (8")	4100	4756	0,15	180	190	210
DN 250 (10")	6090	7065	0,17	275	315	
DN 300 (12")	9570	11100	0,14	390	440	

Diameter	Insulation according to the heating and installation system ordinance IV (12/94)	
	A	B
DN 50 (2")	50	107,5
DN 65 (2 1/2")	65	125,0
DN 80 (3")	80	140,0
DN 100 (4")	100	160,0
DN 125 (5")	100	175,0
DN 150 (6")	100	192,5
DN 200 (8")	100	220,0
DN 250 (10")	100	252,5
DN 300 (12")	100	280,0



Liner with integrated sealing strip, no additional flange gaskets required

Operating-variants



Lever

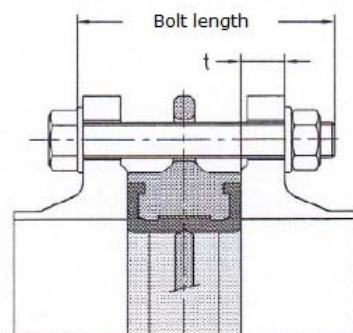


Worm gear



Pneumatic actuator

Bolt length for mounting between DIN and ANSI flanges

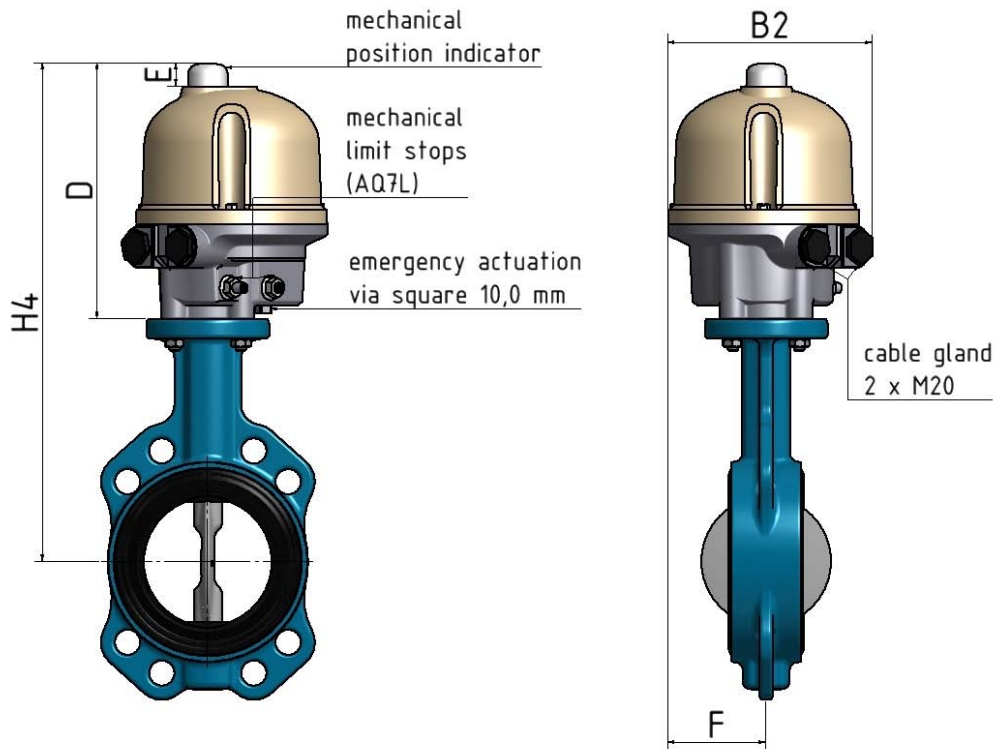


Diameter	pressure range PN 6		pressure range PN 10		pressure range PN 16		pressure range cl 150	
	Flange thickness "t"	Bolt length	Flange thickness "t"	Bolt length	Flange thickness "t"	Bolt length	Flange thickness "t"	Bolt length
DN 50 (2")	14	100,0	18	110,0	18	110,0	0,75"	4"
DN 65 (2 1/2")	14	100,0	18	110,0	18	110,0	0,88"	4 1/2"
DN 80 (3")	16	100,0	20	110,0	20	110,0	0,94"	5"
DN 100 (4")	16	110,0	20	120,0	20	120,0	0,94"	5"
DN 125 (5")	18	120,0	22	130,0	22	130,0	0,94"	5 1/2"
DN 150 (6")	18	120,0	22	130,0	22	130,0	1"	5 1/2"
DN 200 (8")	20	130,0	24	140,0	24	140,0	1.12"	6"
DN 250 (10")	22	140,0	26	150,0	26	150,0	1.19"	6 1/2"
DN 300 (12")	22	150,0	26	160,0	28	180,0	1.25"	6 1/2"

830-GGG_AQL-ENG_2021_Rev.0

Wafer type butterfly valve, Article 830-GGG with electrical actuator

Diameter DN 50 (2") up to DN 100 (4")

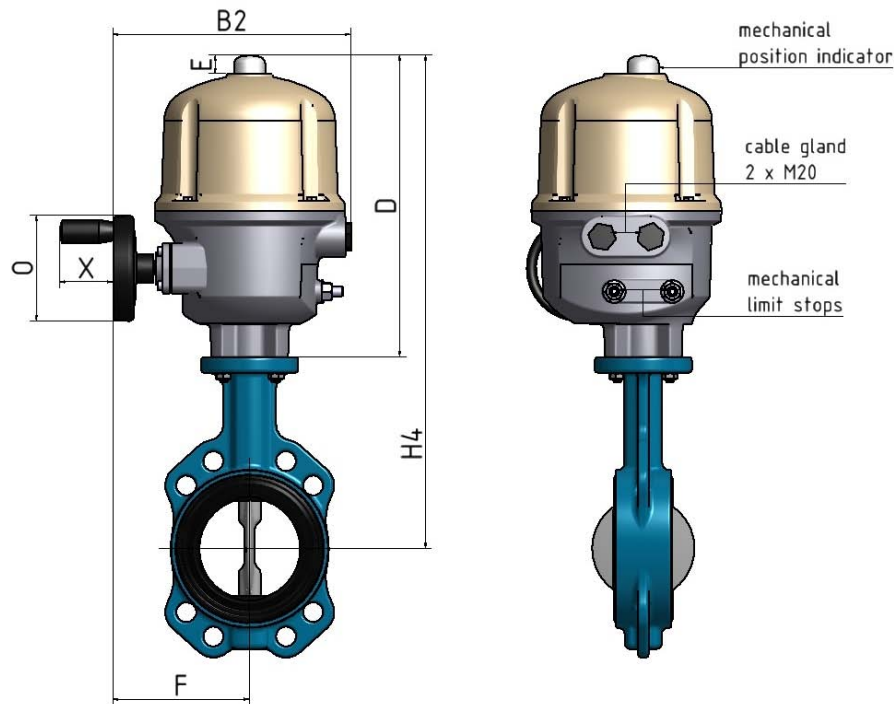


Diameter	Article-numbers		Voltage	H4 (mm)	D (mm)	E (mm)	F (mm)	B2 (mm)	Weight (kg)
	EPDM-Liner	NBR-Liner							
DN 50	281.2633.3.21-FW	281.2634.3.21-FW							
AQ3L	171.8093.3L.15	171.8093.3L.15	230 V	300	175	17,5	89,5	150	5,4
	171.8092.3L.15	171.8092.3L.15	24 V						
DN 65	281.2633.3.24-FW	281.2634.3.24-FW							
AQ3L	171.8093.3L.15	171.8093.3L.15	230 V	325	175	17,5	89,5	150	5,9
	171.8092.3L.15	171.8092.3L.15	24 V						
DN 80	281.2633.3.25-FW	281.2634.3.25-FW							
AQ7L	171.8093.7L.15	171.8093.7L.15	230 V	352	195	17,5	89,5	150	7,9
	171.8092.7L.15	171.8092.7L.15	24 V						
DN 100	281.2633.3.27-FW	281.2634.3.27-FW							
AQ7L	171.8093.7L.15	171.8093.7L.15	230 V	377	195	17,5	89,5	150	9,2
	171.8092.7L.15	171.8092.7L.15	24 V						

830-GGG_AQL-AQ_ENG_2021_Rev.0

Wafer type butterfly valve, Article 830-GGG with electrical actuator

Diameter DN 125 (5") up to DN 300 (12")



DN 125 up to DN 300

Diameter	Article-numbers		Voltage	F (mm)	O (mm)	X (mm)	E (mm)	B2 (mm)	D (mm)	H4 (mm)	Weight (kg)
	EPDM-Liner	NBR-Liner									
DN 125	281.2633.3.28-FW	281.2634.3.28-FW									
AQ10	171.8089.10.25	171.8089.10.25	230 V	107,5	100	50,5	24	185	290	491	13,7
	171.8088.10.21	171.8088.10.21	24 V								
	171.8090.10.25	171.8090.10.25	400 V								
DN 150	281.2633.3.29-FW	281.2634.3.29-FW									
AQ15	171.8089.15.30	171.8089.15.30	230 V	107,5	100	50,5	24	185	290	504	16,9
	171.8088.15.25	171.8088.15.25	24 V								
	171.8090.15.30	171.8090.15.30	400 V								
DN 200	281.2633.3.31-FW	281.2634.3.31-FW									
AQ25	171.8089.25.30	171.8089.25.30	230 V	177,5	120	63,5	24	225	320	565	26,9
	171.8088.25.25	171.8088.25.25	24 V								
	171.8090.25.30	171.8090.25.30	400 V								
DN 250	281.2633.3.33-FW	281.2634.3.33-FW									
AQ50	171.8089.50.35	171.8089.50.35	230 V	230,0	160	80,0	24	360	401	684	40,5
	171.8090.50.35	171.8090.50.35	400 V								
DN 300	281.2633.3.34-FW	281.2634.3.34-FW									
AQ50	171.8089.50.35	171.8089.50.35	230 V	230,0	160	80,0	24	360	401	709	49,8
	171.8090.50.35	171.8090.50.35	400 V								

830-GGG_AQL-AQ_ENG_2021_Rev.0