

Lug butterfly valve, article 835-GGG

Diameter DN 50 (2") up to DN 300 (12")

Soft seated lug butterfly valve for general, industrial applications. Compact, low weight design and easy mounting between DIN and ANSI flanges thanks the centering alignment lugs. Disc centric in body, 100% both sides bi-directional tight shutt off. The split shaft allows favorable flow design with low pressure loss and a high KV-value.

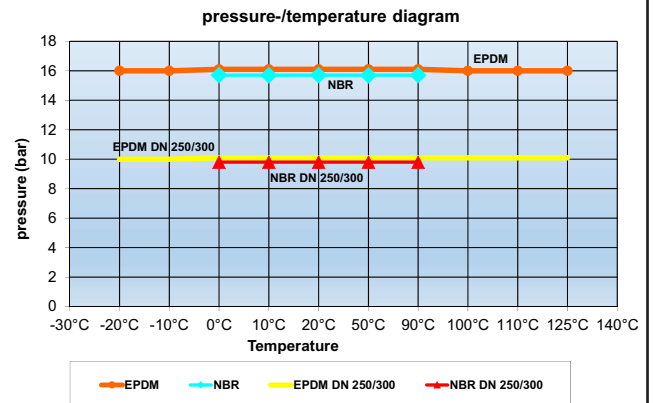
Installation between/at flanges according to DIN EN 1092-1, form B PN 10 / PN 16 (ANSI on request)

Useable as open / close valve as well as for control or dosing of the flow rate.

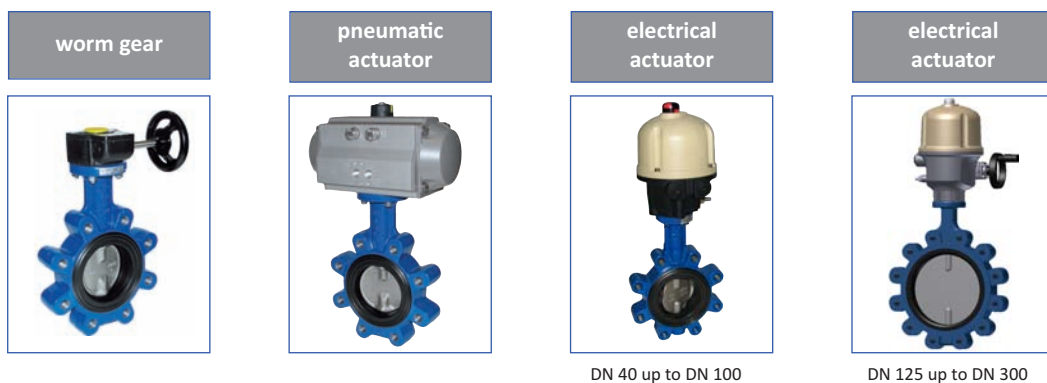


	0086 PED2014/68/EU
	ambiente -15°C ... +80°C temperature
	medium with liner EPDM -20° C up to +110° C liner NBR 0° C up to + 90° C

- Face to face dimension: EN 558/20, DIN 3202 K-1, API 609
- Design pressure: 16,0 bar DN 50 up to DN 200
10,0 bar DN 250 up to DN 300
- Elastomer rubber liner exchangeable
- housing outside powder coating min. 250 µm, Ral 5017
- Marking EN 19, MSS SP-25
- Integrated flange seal **-no additional sealing required-**
- Body with long neck for insulation purposes and dew point barrier as condensation water protection
- Anti-blow out actuator shaft in PTFE bearing bushings guided, low operating moments, no slip stick effect
- Top flange and shaft according to ISO 5211

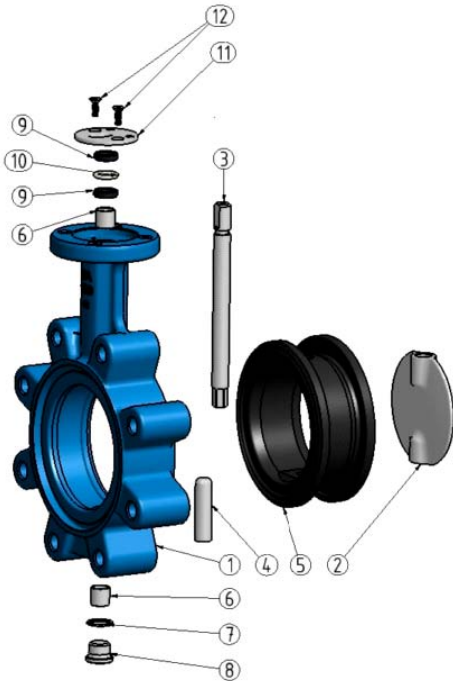


Operating-variants:



Lug butterfly valve, article 835-GGG

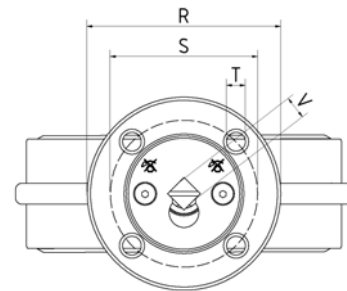
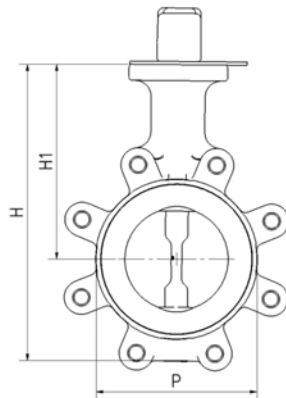
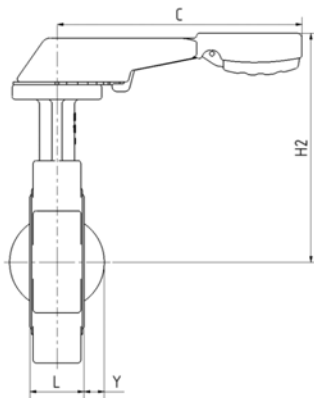
Diameter DN 50 up to DN 300



1	Body	Ductile cast iron ASTM A536 60-40-18
2	Disc	Stainless steel ASTM A351, CF8M
3	Upper shaft	Stainless steel ASTM A276, Gr. 420
4	Lower shaft	Stainless steel ASTM A276, Gr. 420
5	Elastomer liner	optionally EPDM or NBR
6	Bearing	Steel / PTFE
7	Sealing ring	Copper
8	Screw	POM
9	Pressure ring	Hard PVC
10	O-Ring	EPDM or NBR
11	Shaft safety	Polyamide PA6
12	Countersunk screws	Stainless steel A2

size	Order-numbers	
	Liner EPDM	Liner NBR
DN 50 (2")	281.2617.3.21-HH	281.2618.3.21-HH
DN 65 (2 1/2")	281.2617.3.24-HH	281.2618.3.24-HH
DN 80 (3")	281.2617.3.25-HH	281.2618.3.25-HH
DN 100 (4")	281.2617.3.27-HH	281.2618.3.27-HH
DN 125 (5")	281.2617.3.28-HH	281.2618.3.28-HH
DN 150 (6")	281.2617.3.29-HH	281.2618.3.29-HH
DN 200 (8")	281.2617.3.31-HH	281.2618.3.31-HH
DN 250 (10")	281.2617.3.33-FW	281.2618.3.33-FW
DN 300 (12")	281.2617.3.34-FW	281.2618.3.34-FW

remark: addition -HH = Lever addition -FW = free shaft



diameter	P (mm)	L (mm)	Y (mm)	H (mm)	H1 (mm)	C (mm)	H2 (mm)	R (mm)	S (mm)	T (mm)	V (mm)	ISO 5211 Top flange	Flange connection	Weight (kg)
DN 50 (2")	92	43	3,5	188	125	195	185	67	50	7	9	F05	PN 10 / 16	4,0
DN 65 (2 1/2")	115	46	9,0	226	150	195	210	67	50	7	9	F05	PN 10 / 16	4,8
DN 80 (3")	130	46	16,0	240	157	195	217	67	50	7	9	F05	PN 10 / 16	6,3
DN 100 (4")	148	52	23,0	278	182	240	247	92	70	9	11	F07	PN 10 / 16	9,3
DN 125 (5")	181	56	33,0	314	201	240	266	92	70	9	14	F07	PN 10 / 16	11,7
DN 150 (6")	206	56	46,0	340	214	390	284	92	70	9	14	F07	PN 10 / 16	12,9
DN 200 (8")	261	60	69,0	400	245	390	315	92	70	9	17	F07	PN 10 / 16	16,9
DN 250 (10")	316	68	90,0	478	283	operating only		130	102	11	22	F10	PN 10	27,7
DN 300 (12")	372	78	110,0	528	308	with gear		130	102	11	22	F10	PN 10	38,0

835-GGG_ENG_2017_Rev. 1

Lug butterfly valve, article 835-GGG

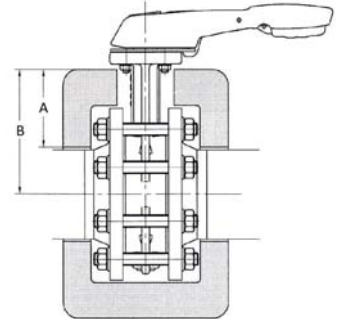
Flow characteristics / Operating torques Nm (fluid: water)

diameter	Flow characteristics			Operation torques Nm		
	KV	CV	Zeta	up to 6,0 bar	up to 10,0 bar	up to 16,0 bar
DN 50 (2")	91	106	1,18	12	13	13
DN 65 (2 1/2")	206	239	0,66	18	18	20
DN 80 (3")	436	506	0,34	25	26	28
DN 100 (4")	660	766	0,36	39	41	44
DN 125 (5")	1300	1508	0,22	65	69	75
DN 150 (6")	2100	2436	0,18	91	97	110
DN 200 (8")	4100	4756	0,15	180	190	210
DN 250 (10")	6090	7065	0,17	275	315	
DN 300 (12")	9570	11100	0,14	390	440	

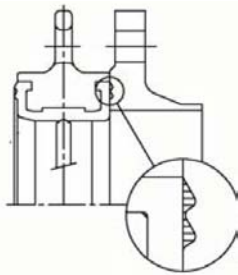
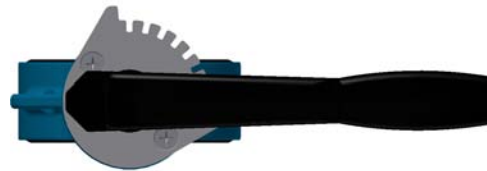
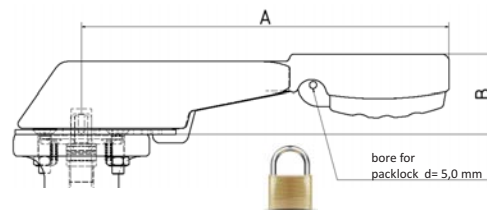
Remark: when using non-lubricating media (e.g., air / gas) the torque increases by 40%

Insulation

diameter	Insulation according to the heating and installation system ordinance IV (12/94)	
	A	B
DN 50	50	107,5
DN 65	65	125,0
DN 80	80	140,0
DN 100	100	160,0
DN 125	100	175,0
DN 150	100	192,5
DN 200	100	220,0
DN 250	100	252,5
DN 300	100	280,0

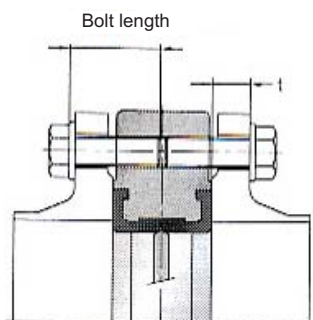


diameter	lever type	A (mm)	B (mm)	kg
DN 50 (2")	LBA1	195,0	60,0	0,4
DN 65 (2 1/2")				
DN 80 (3")				
DN 100 (4")	LBA2	240,0	65,0	0,7
DN 125 (5")				
DN 150 (6")	LBA3	390,0	70,0	0,9
DN 200 (8")				



Liner with integrated race face, no additional flange gaskets required

Bolt length for mounting between DIN flanges



diameter	pressure range PN 10			pressure range PN 16		
	quantity/size screws	Flange thickness "t"	Bolt length	quantity/size screws	Flange thickness "t"	Bolt length
DN 50 (2")	4 + 4 M16	18	35	4 + 4 M16	18	35
DN 65 (2 1/2")	4 + 4* M16	18	35	4 + 4* M16	18	35
DN 80 (3")	8 + 8 M16	20	40	8 + 8 M16	20	40
DN 100 (4")	8 + 8 M16	20	40	8 + 8 M16	20	40
DN 125 (5")	8 + 8 M16	22	45	8 + 8 M16	22	45
DN 150 (6")	8 + 8 M20	22	45	8 + 8 M20	22	45
DN 200 (8")	8 + 8 M20	24	50	12 + 12 M20	24	50
DN 250 (10")	12 + 12 M20	26	55			
DN 300 (12")	12 + 12 M20	26	60			

*Remark.: On request also with 8 + 8 drillings according to EN 1092

Lug-butterfly valve, article 835-GGG

Possibilities for end position monitoring, actuated by hand lever. Mechanical or inductive end limit switches open assembled or in limit switch box. Optional signaling CLOSE and / or OPEN (1- or 2-switches)

Bernstein-limit switch, type I88-SU1Z Riw K



switching capacity	max. 10 A, 250V AC
protection class	IP 65
temperature range	-30° C up to +80° C
mechanical life	10 x 10 ⁶
cable entrance	M20 x 1,5
connection	clamp 2,5 mm ²
housing material	PA 6 self-extinguishing
mounting bracket	stainless steel/plastic
article-no.:	1-fold: 208.8716HKE 2-fold: 208.8716HKZ

Mounting kit for the assembly of inductive initiators (e.g., IFM, P + F, TURCK, etc.) including mounting and adjustment



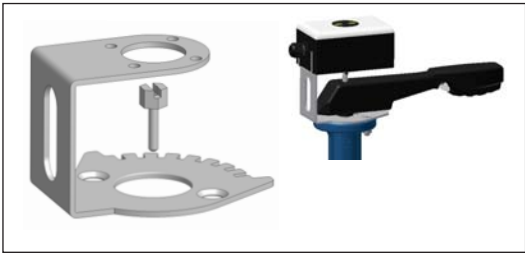
article-No. 1-fold	article-No. 2-fold
327.9586.5-1F05	327.9586.5-2F05
327.9586.5-1F07	327.9586.5-2F07

limit switch box, article 41-ES OPEN / CLOSED Honeywell, ZM1



switching capacity	max. 5 A, 250 V AC
protection class	IP 67
temperature range	-25° C up to +85° C
switching accuracy	<1°
cable entrance	M20 x 1,5
connection	clamp 2,5 mm ²
housing material	aluminium
mounting bracket	stainless steel
article-No.:	179.8705HEZ

Mounting kit for the assembly of limit switch boxes including mounting and adjustment



size (butterfly valve)	article-No.:
DN 50 ... DN 80	327.9580.F05VM
DN 100 ... DN 200	327.9580.F07VM

835-GGG_ENG_2017_Rev. 1