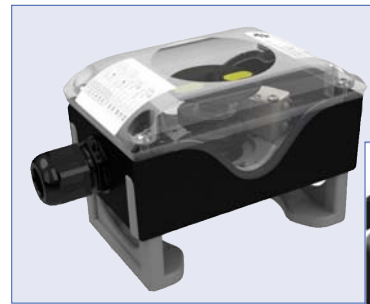
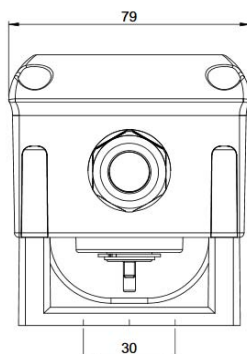
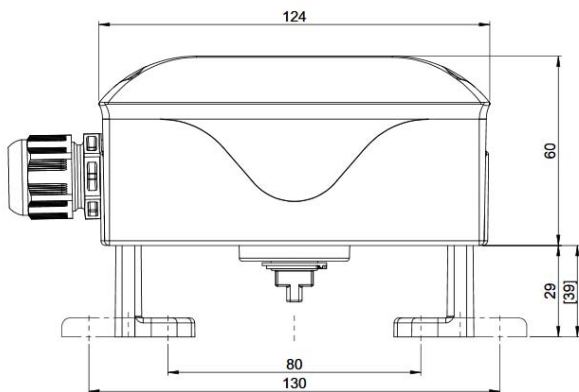


Switchbox, article 48-ES with inductive proximity switches

Compact and flexible polyamide limit switch box with transparent polycarbonate cover for pneumatic actuators with connection interface according to VDI / VDE 3845, or NAMUR. With two inductive proximity switches (3-wire PNP N.O.), **Make P+F Type 12GM50-E2** or the position indication "OPEN" and "CLOSE", wired to a 6-fold terminal block. Cover with 2D in-site display.

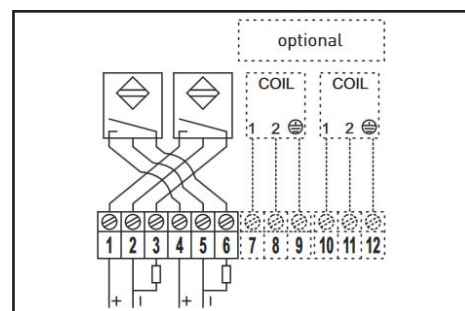
- Voltage 10 - 30 V DC
- Current consumption 0 - 200 mA
- Switching frequency 1200 Hz
- No-load current 17 m
- Protection class IP 67
- Cable gland M20 x 1,5 schwarz
- Cable diameter 6,0 mm - 12,0 mm
- Terminal block 6-fold up to 2,5 mm²
- Switching cam adjustable
- Temperature range -20° C up to +70° C
- Display LED yellow



ind. proximity switches
make P+F, type 12GM50-E2

article-description:	order-No.:
48-ES	184.8794

Connection plan



article 48-ES

Pos.	description	material
1	housing base	polyamide PA6
2	housing cover	polycarbonate, transparent
3	sealings	EPDM and NBR
4	operating shaft	polyamide PA6
5	switch cams	plastic
6	mounting bracket	polyamide (PA6) + 30% glass fiber
7	terminal block	6-fold up to 2,5 mm ²
8	cable gland	M20 x 1
9	screws	stainless steel A2

mounting bracket (adjustable)

- drilling pattern: 80 x 30 mm or 130 x 30 mm
- shaft height 20,0 mm or 30,0 mm

Switchbox, article 48-ES with inductive proximity switches

Variants of limit switch housing



bracket and shaft stainless steel
order-no.: 184.8794-E



Switch housing aluminum
bracket and shaft stainless steel
order-no.: 184.8794-AL

Options for the limit switch box



Solenoid valve connection
1 spool
order-no.: 184.8794-MA



Large 3D display
in the lid
OPEN / CLOSED
order-no.: 184.8794-D31



M12 connector
5-pin male
order-no.: 184.8794-M12



thread connection
NPT 1/2
order-no.: 184.8794-NPT



Pressure compensation
element avoidance of
condensation water
order-no.: 184.8794-DAE

