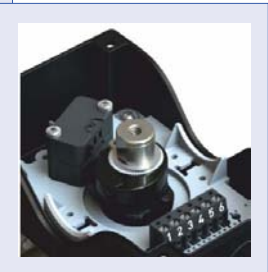
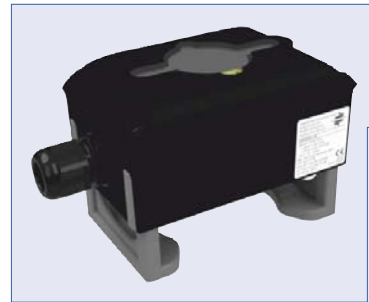


Switchboxes, article 51-ES with mechanical Ex t switches



Ex t switch
(Protection by housing)



mechanical Ex t with make Cherry, Type D41-X

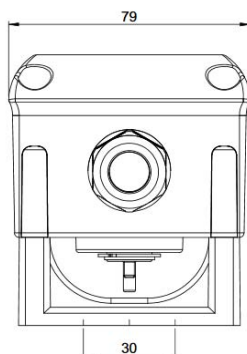
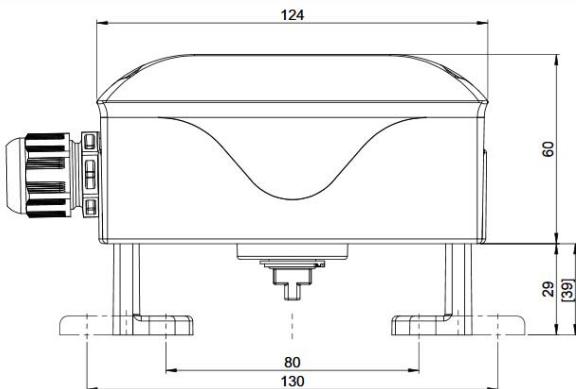
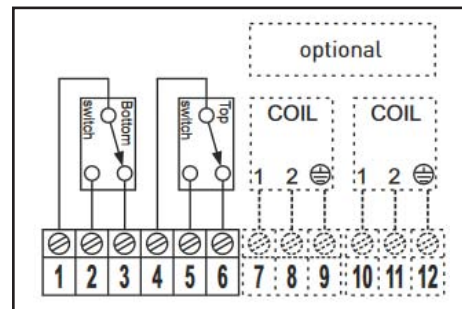
Compact and flexible limit switch box made of conductive vestamide with transparent sight window made of polycarbonate for pneumatic actuators with connection interface according to VDI / VDE 3845, or NAMUR. With two mechanical Ex t switches make **Cherry Type D41X** (SPDT N.O / N.C.) for the position indication "OPEN" and "CLOSE", wired to a 6-fold terminal block. Cover with 2D in-site display.

- Voltage max. current 24 V - 250 V
- Contacts gold
- Current consumption AC 250 V 0,1 A
DC 24 V 0,1 A
- ATEX Ex-protection II 2 D Ex t IIIC T80° Dc
II 3 D Ex t IIIC T80°C Db
- Ex-zone zone 21, zone 22
- Protection class IP 67
- SIL-Level SIL 1 - 3 (IEC 61508-2010)
- Cable gland M20 x 1,5 black
- Cable diameter 5,5 mm - 13,0 mm
- Terminal block 6-fold up to 2,5 mm²
- Switching cam adjustable
- Temperature range -20° C up to +40° C



article-description:	order-No.:
51-ES	184.8787

Connection plan



article 51-ES

Pos.	description	material
1	housing base	Vestamide, conductive
2	sight window	Polycarbonate, transparent
3	sealings	EPDM and NBR
4	operating shaft	polyamide PA6
5	switch cams	plastic
6	mounting bracket	polyamide (PA6) + 30% glass fiber
7	terminal block	6-fold up to 2,5 mm ²
8	cable gland	M20 x 1 blue
9	screws	stainless steel A2

mounting bracket (adjustable)

- drilling pattern: 80 x 30 mm or 130 x 30 mm
- shaft height: 20 mm or 30 mm

Switchboxes, article, 51-ES with mechanical Ex t switches

Variants of limit switch housing



bracket and shaft stainless steel
order-no.: 184.8787-E



Switch housing aluminum
bracket and shaft stainless steel
order-no.: 184.8787-AL

Options for the limit switch box



Large 3D display
in the lid
OPEN / CLOSED
order-no.: 184.8787-D31



M12 connector
5-pin male
order-no.: 184.8787-M12



thread connection
NPT 1/2
order-no.: 184.8787-NPT



Pressure compensation
element avoidance of
condensation water
order-no.: 184.8787-DAE

