

## 2-way mini ball valves, article 421-VA and article 421-VA I/A

Diameter G 1/4" up to G 1"

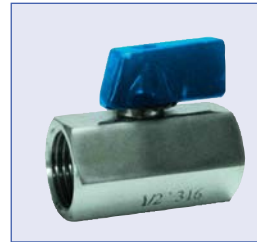
Mini ball valves with the smallest space requirement and very compact dimensions are used in pipelines of smaller dimensions. Due to the design of the ball bore has a slightly reduced passage, in open position, the wing handle does not protrude beyond the housing. Suitable for gaseous and liquid media (no steam) under consideration of the material resistance of stainless steel 1.4408

- Threads according to ISO 228-1
- Housing polished inside and outside

Available as standard in two versions:

**421-VA = both sides female thread**

**421-VA I/A = female/male thread (cylindrical)**



Article 421-VA

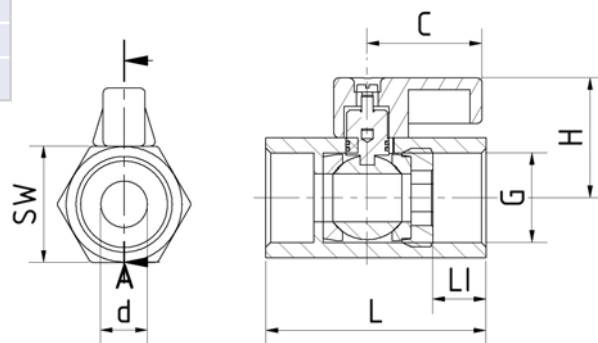
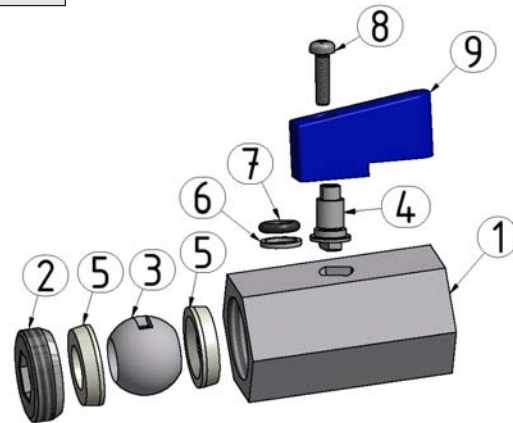


Article 421-VA I/A

T <sub>°C</sub>	Ambient	-25° C ... +60° C
T <sub>°C</sub>	Medium	-25° C ... +180° C

### Article 421-VA

Pos.	Description	Material
1	Body	Stainless steel 1.4408 polished
2	Shutter screw	Stainless steel 1.4408 polished
3	Ball	Stainless steel 1.4408
4	Stem	Stainless steel 1.4401
5	Ball sealing	PTFE profile shells
6	Thrust ring	PTFE
7	O-ring	FKM (Viton)
8	Screw	Stainless steel V2A
9	Handle	Aluminum die-casting, blue



Diameter	Article-no.:	L (mm)	L1 (mm)	H (mm)	C (mm)	d (mm)	SW (mm)	Pressure rating PN	Weight (kg)
	421-VA both sides female thread								
G 1/4"	502.3727.6.61	40	10,0	26,5	22,8	8,0	21	63	0,104
G 3/8"	502.3727.6.62	41	10,0	26,5	22,8	8,0	21	63	0,092
G 1/2"	502.3727.6.63	46	10,5	28,3	22,8	9,2	25	63	0,125
G 3/4"	502.3727.6.65	55	12,0	31,5	22,8	12,5	31	63	0,211
G 1"	502.3727.6.67	65	14,3	34,0	22,8	15,0	38	63	0,300

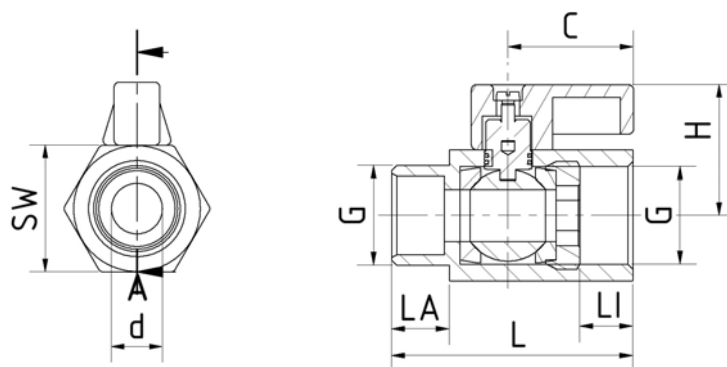
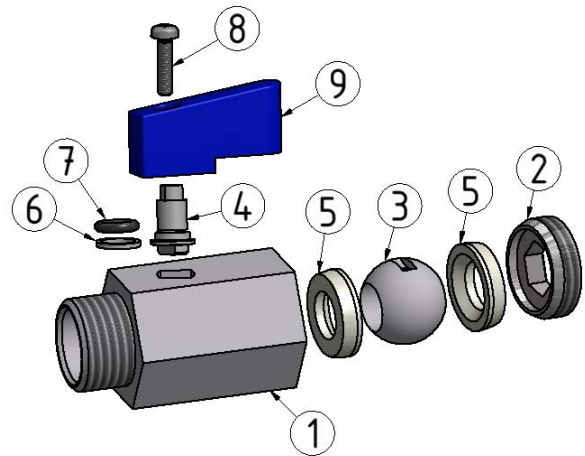
421-VA\_421\_VA\_I-A\_2021\_ENG\_Rev. 0

## 2-way mini ball valves, article 421-VA and article 421-VA I/A

Diameter G 1/4" up to G 1"

### Article 421-VA I/A

Pos.	Description	Material
1	Body	Stainless steel 1.4408 polished
2	Shutter screw	Stainless steel 1.4408 polished
3	Ball	Stainless steel 1.4408
4	Stem	Stainless steel 1.4401
5	Ball sealing	PTFE profile shells
6	Thrust ring	PTFE
7	O-Ring	FKM (Viton)
8	Screw	Stainless steel V2A
9	Handle	Aluminum die-casting, blue



Diameter	Article-no.:	L (mm)	LI (mm)	LA (mm)	H (mm)	C (mm)	d (mm)	SW (mm)	Pressure rating PN	Weight (kg)
	421-VA I/A female / male thread									
G 1/4"	502.3724.6.61	39	10,0	9,0	26,5	22,8	8,0	21,0	63	0,083
G 3/8"	502.3724.6.62	41	10,0	9,0	26,5	22,8	8,0	21,0	63	0,082
G 1/2"	502.3724.6.63	46	10,5	10,0	28,3	22,8	9,2	24,5	63	0,116
G 3/4"	502.3724.6.65	55	12,0	11,5	31,5	22,8	12,5	31,0	63	0,193
G 1"	502.3724.6.67	65	14,3	14,0	34,0	22,8	15,0	38,0	63	0,280

Pressure-Temperature Diagram

