

2/2-way solenoid valve, article 228-GG - pilot operated - diameter DN 20 up to DN 50

Pilot operated solenoid valves always require a pressure difference between the pilot and back pressure for actuation. The specified minimum pressure must always be present as a pressure difference (ΔP). In the case of pilot operated valves, the magnetic coil opens a pilot hole. Supported by the differential pressure, the diaphragm rises from the valve seat. By default, these solenoid valves are designed with the function **-normally closed-**, by using mostly larger magnet coils the function **-normally open-** is also possible. The flow direction is indicated by an arrow on the housing, the position of the solenoid valve coil should preferably be upright.

Connections

both sides flanges acc. to DIN EN 1092-1, Form B PN 10 / PN 16

Overall length

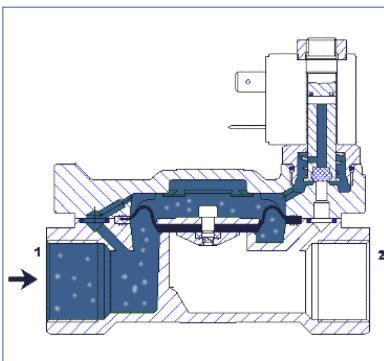
DIN EN 558-1, row 1 (DIN 3202-F1)

Viscosity up to 22 mm²/s

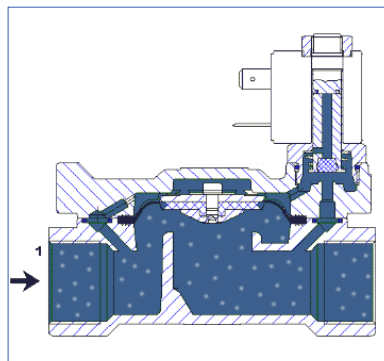
Solenoid valves should only be used with clean, liquid or gaseous media. For low contamination we recommend the use of an upstream strainer.



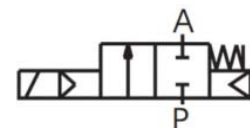
	Ambient	to max. +35°C
	Diaphragm Medium Temperature	
	NBR:	-10°C ... +80°C
	EPDM:	-10°C ... +130°C
	FKM:	-10°C ... +80°C



valve closed
magnet coil currentless

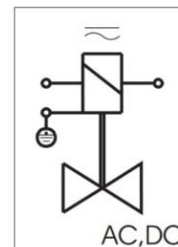


valve opened
magnet coil energized

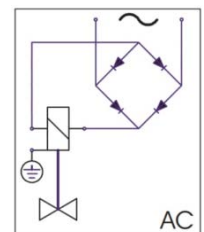


Function:
normally closed - NC

Connection diagram



For AC and DC
voltage.



With a rectifier for
AC voltage.

- design : poppet valve with diaphragm sealing
- electrical part : plug socket acc. to DIN 43650
- cable passage : 6 - 8 mm, min. 0,34 mm², max. 1,5 mm²
- supply voltage : 230V 50Hz AC voltage, 24V DC voltage
- voltage tolerance : +5% / -10%
- power consumption : AC voltage 230V 50Hz AC : 24/15 VA / 35/24 VA
DC voltage 24V : 11 Watt / 18,5 Watt
- duty-cycle : 100% ED-VDE 0580
- protection class : IP 65 acc. to DIN 40050
- pressure range : see selection table

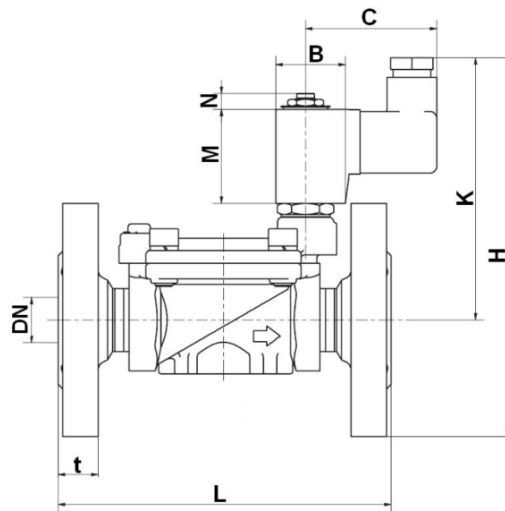
Grounding or protective circuit according to the regulations of the responsible EVU. Provide the fuse according to the current consumption.

2/2-way solenoid valve, article 228-GG - pilot operated - diameter DN 20 up to DN 50

Valve options:

- | | |
|-----------------------------------------------------------------------------------------------------------------------------------------------------------------------------------------------------------------------------------------------------------------|----------------------------------------------------------------------------------------------------------------------------------------------------------------------------------------------------------------------------------------------------------------|
| <ul style="list-style-type: none"> - free of oil and grease - manual operations - varying medium and viscosity ranges - different temperatures and pressures - Ex-proof areas II 2G EEx md IIC, T4, T5 or T6 | <ul style="list-style-type: none"> - position indicator (limit switch from DN 20) - adjustable closing damping (from DN 20) - free of non-ferrous metal - version of temperature up to +130°C - sealed core |
|-----------------------------------------------------------------------------------------------------------------------------------------------------------------------------------------------------------------------------------------------------------------|----------------------------------------------------------------------------------------------------------------------------------------------------------------------------------------------------------------------------------------------------------------|

description	material
body	grey cast iron EN-JL 1040
internal parts	brass
sealing	NBR (standard) optionally EPDM, FKM



diameter	L (mm)	H (mm)	K (mm)	C (mm)	B (mm)	N (mm)	M (mm)	t (mm)	Pg (mm)	Kv-value [m ³ /h]	pressure range max. (bar)	weight (kg)
DN 20	150	143	105	58	35 x 32	10	40	18	11	10,8	0,3 - 16	4,0
DN 25	160	148	105	58	35 x 32	10	40	18	11	13,0	0,3 - 16	4,5
DN 32	180	170	120	58	35 x 32	10	40	18	11	30,0	0,5 - 16	6,0
DN 40	200	175	120	58	35 x 32	10	40	18	11	32,0	0,5 - 16	7,5
DN 50	230	198	135	58	35 x 32	10	40	20	11	45,0	0,5 - 16	10,0

diameter	article numbers							
	AC voltage				DC voltage			
	power consumption 24 / 15 VA		power consumption 35 / 24 VA		power consumption 11 Watt		power consumption 18,5 Watt	
	normally closed	pressure range (bar)	normally open	pressure range (bar)	normally closed	pressure range (bar)	normally open	pressure range (bar)
DN 20	21.1114.2.13	0,3 - 16	21.1115.2.13	0,3 - 16	21.1116.2.13	0,3 - 16	21.1117.2.13	0,3 - 16
DN 25	21.1114.2.15		21.1115.2.15		21.1116.2.15		21.1117.2.15	
DN 32	21.1114.2.18	0,5 - 16	21.1115.2.18	0,5 - 16	21.1116.2.18	0,5 - 16	21.1117.2.18	0,5 - 16
DN 40	21.1114.2.19		21.1115.2.19		21.1116.2.19		21.1117.2.19	
DN 50	21.1114.2.21		21.1115.2.21		21.1116.2.21		21.1117.2.21	

228-GG_ENG_2021_Rev. 0