

Gate valve, article 501-GG/NI

diameter DN 40 up to DN 300

Flange gate valve, design according to DIN 3352/2D, with nonrising stem of stainless steel, metal sealing acc. to EN 1171. Closed design, tightness class B according to EN 12266-1. Flanges are measured and drilled according to EN 1092-2, form B2.



Pressure range up to PN 10.

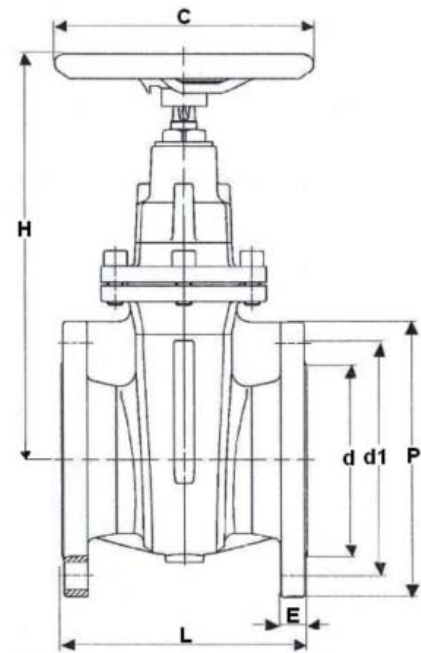
Face-to face length acc. to EN 558, row 27 (DIN 3202-F4).

For general industrial applications, especially for cold and hot water supply. Operation by hand wheel. Body inside and outside with synthetic resin-liquid-coating.

Design compliant with pressure equipment directive (DGRL97/23/EG), new 2014/68/eu.



	ambient	0° C ... + 50° C
	medium	-10° C ... +200° C



Article 501-GG/NI

description	material
body	grey cast iron GG 25, EN-JL 1040
wedge	grey cast iron GG 25, EN-JL 1040
bonnet	grey cast iron GG 25, EN-JL 1040
stem	stainless steel 1.4021
sealing surface body	stainless steel 1.4301
sealing surface wedge	stainless steel 1.4301
sealing body / bonnet	graphite
stem sealing	o-ring 2 x Viton

diameter	order number	L (mm)	H (mm)	P (mm)	d (mm)	d1 (mm)	C (mm)	E (mm)	Sp Ø	U / Hub	pressure rating (bar)	weight (kg)
	501-GG/NI GG 25											
DN 40	51.3007.2.19	140	225	150	88	110	150	18	12	14	10	9,5
DN 50	51.3007.2.21	150	235	165	102	125	150	20	12	16	10	11,0
DN 65	51.3007.2.24	170	280	185	122	145	150	20	12	20	10	15,5
DN 80	51.3007.2.25	180	280	200	138	160	150	22	12	24	10	17,0
DN 100	51.3007.2.27	190	330	220	158	180	200	24	14	29	10	23,0
DN 125	51.3007.2.28	200	380	250	188	210	200	26	14	29	10	33,5
DN 150	51.3007.2.29	210	420	285	212	240	200	26	14	34	10	42,0
DN 200	51.3007.2.31	230	505	340	268	295	200	26	14	45	10	61,5
DN 250	51.3007.2.33	250	595	395	320	350	300	28	19	54	10	95,0
DN 300	51.3007.2.34	270	675	445	370	400	300	28	19	66	10	127,0