

2-Way threaded ball valve, article SL440-VA with electric actuator, article AQ/AQL

Diameter G 1/2" up to G 3"

Threaded ball valve series "SLIM-Line", functional execution, designed for general, simple purposes. Two-part screwed stainless steel body with full bore. Stem anti blow-out, mounted from inside. Shaft seal with self-adjusting multilayer PTFE packing rings means by Belleville washer and additional FKM O-Ring.

Applicable for gaseous and liquid media (no steam) under observe of the material resistance stainless steel AISI 316.

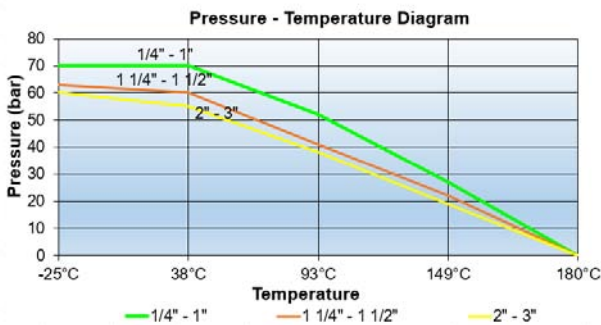
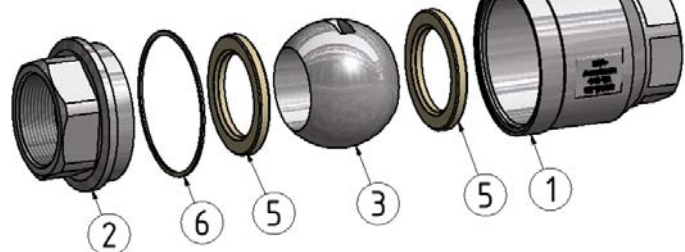
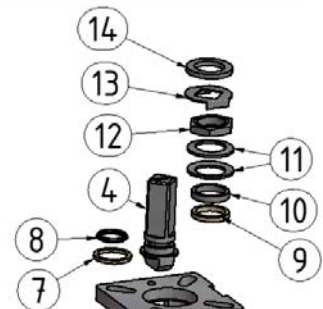
- ☛ **With female thread on both sides according to ISO 228-1 (BSP cylindrical)**
- ☛ **Actuator mounting flange (topflange) according ISO 5211**



CE	DGRL/PED 2016/68/EU AD 2000, W0
	ATEX EX II2 GD c T2
	Ambient: -20° C ... +80° C
	Medium: -25° C ... +180° C

Pos.	Description	Material
1	Body	Stainless steel A351 CF8M
2	Screw in part	Stainless steel A351 CF8M
3	Ball	Stainless steel AISI 316
4	Shaft	Stainless steel AISI 316
5	Ball seal	RPTFE (15%-glass)
6	Body seal	PTFE
7	Slide ring	PTFE
8	Shaft seal	FKM (Viton) O-Ring
9	Shaft packing set	PTFE-washer
10	Pressure Ring	Stainless steel AISI 316
11	Belleville washer	Stainless steel AISI 301
12	Shaft nut	Stainless steel AISI 304
13	Nut stopper	Stainless steel AISI 304
14	Plate washer	Stainless steel AISI 304

- Design standard: DIN EN 12516-1
- Body strenght: DIN EN 12516-2
- Design pressure: PN 63
- Marking: EN 19, MSS SP-25
- Examination / test: DIN EN 12266 P10 / P11 / P12

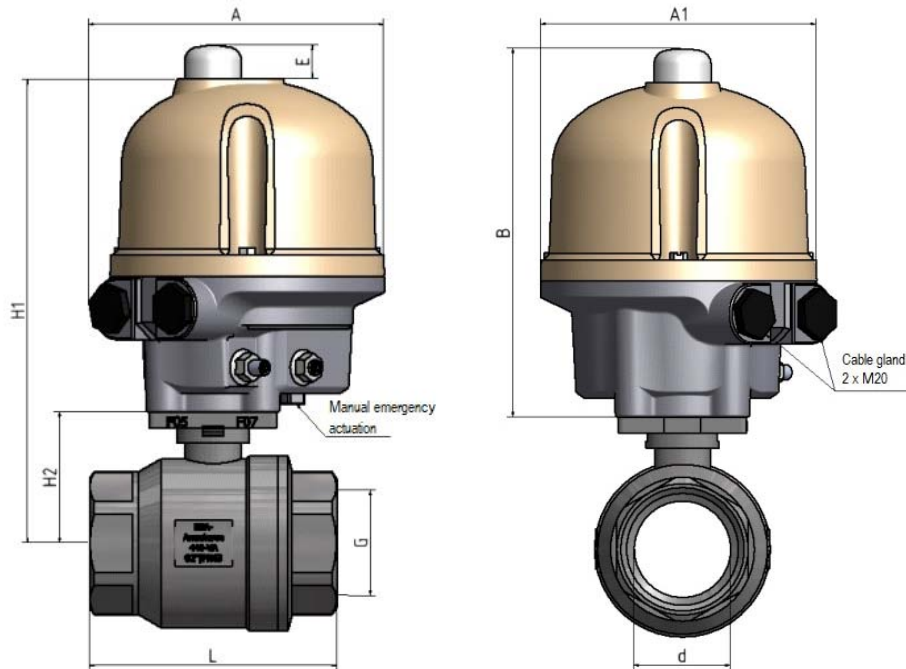


Diameter	1/2"	3/4"	1"	1 1/4"	1 1/2"	2"	2 1/2"	3"
Ball bore Ø	15,0	20,0	25,0	32,0	40,0	50,0	65,0	76,0
KV-value (m³/h)	15,48	30,96	41,28	79,98	124,70	178,02	387,00	642,30

SL440-VA_AQ_AQL_2021_ENG_Rev.0

2-Way threaded ball valve, article SL440-VA with electric actuator, article AQ/AQL

Diameter G 1/2" up to G 2"



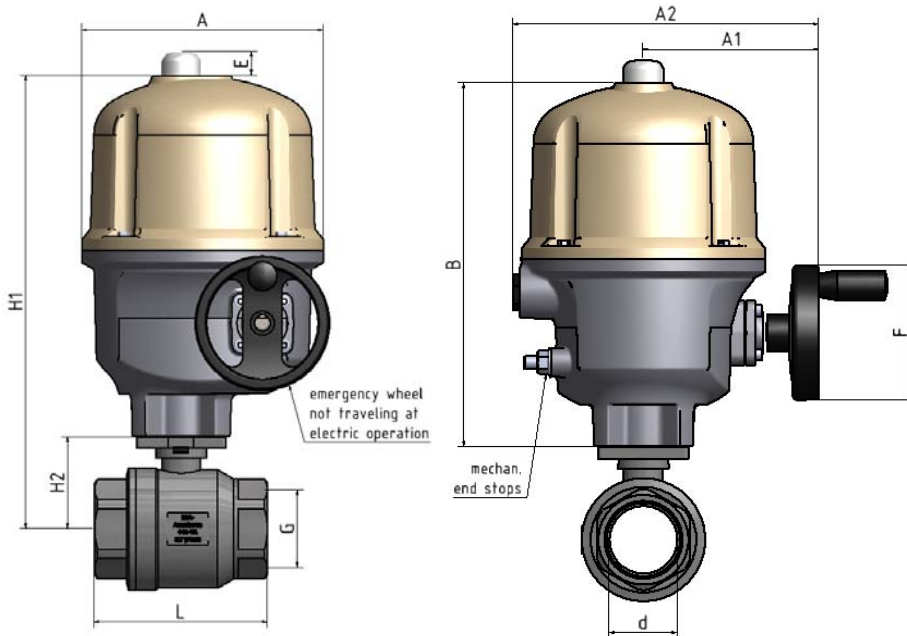
-quarter turn electric actuator-
Power AC 230V / 50 Hz / 1ph Power DC 24 V

Diameter	Article-No. SL440-VA Female thread	Actuator design up to 20 bar									
		L (mm)	d (mm)	H1 (mm)	H2 (mm)	A (mm)	A1 (mm)	B (mm)	E (mm)	Design pressure	Weight (kg)
G 1/2" AQ3L	502.3976.6.63 171.8093.3L.15 171.8092.3L.15	57,0	15,0	194,5	37,0	150,0	145,0	175,0	17,5	PN 63	2,95
G 3/4" AQ3L	502.3976.6.65 171.8093.3L.15 171.8092.3L.15	64,0	20,0	199,5	42,0	150,0	145,0	175,0	17,5	PN 63	3,05
G 1" AQ3L	502.3976.6.67 171.8093.3L.15 171.8092.3L.15	77,0	25,0	202,5	45,5	150,0	145,0	175,0	17,5	PN 63	3,25
G 1 1/4" AQ3L	502.3976.6.68 171.8093.3L.15 171.8092.3L.15	90,0	32,0	211,5	54,0	150,0	145,0	175,0	17,5	PN 63	3,70
G 1 1/2" AQ3L	502.3976.6.69 171.8093.3L.15 171.8092.3L.15	105,0	38,0	217,0	59,5	150,0	145,0	175,0	17,5	PN 63	4,45
G 2" AQ7L	502.3976.6.71 171.8093.7L.15 171.8092.7L.15	125,0	50,0	245,0	67,5	150,0	145,0	195,0	17,5	PN 63	6,50

SL440-VA_AQ_AQL_2021_ENG_Rev.0

2-Way threaded ball valve, article SL440-VA with electric actuator, article AQ/AQL

Diameter G 2 1/2" up to G 3"



-quarter turn electric actuator-

Power AC 230V / 50 Hz / 1ph Power DC 24 V

Diameter	Article-No.:	Actuator design up to 20 bar											Design pressure	Weight (kg)
	SL440-VA Female thread	L (mm)	d (mm)	H1 (mm)	H2 (mm)	A (mm)	A1 (mm)	A2 (mm)	B (mm)	E (mm)	F (mm)			
G 2 1/2" AQ10	502.3976.6.72 171.8089.10.25 171.8088.10.21	153,0	65,0	443,0	93,0	180,0	107,5	225,0	350,0	24,0	100,0	PN 63	12,75	
G 3" AQ10	502.3976.6.73 2171.8089.10.25 171.8088.10.21	172,0	76,0	459,0	109,0	180,0	107,5	225,0	350,0	24,0	100,0	PN 63	15,45	

-quarter turn electric actuator- three phase 400 V / 50 Hz / 3ph

Diameter	Article-No.	Actuator design up to 20 bar											Design pressure	Weight (kg)
	SL440-VA Female thread	L (mm)	d (mm)	H1 (mm)	H2 (mm)	A (mm)	A1 (mm)	A2 (mm)	B (mm)	E (mm)	F (mm)			
G 2 1/2" AQ10	502.3976.6.72 171.8090.10.25	153,0	65,0	443,0	93,0	180,0	107,5	225,0	350,0	24,0	100,0	PN 63	12,75	
G 3" AQ10	502.3976.6.73 171.8090.10.25	172,0	76,0	459,0	109,0	180,0	107,5	225,0	350,0	24,0	100,0	PN 63	15,45	

SL440-VA_AQ_AQL_2021_ENG_Rev.0