

## 2-way mini ball valves, article 421-MS and article 421-MS I/A

Diameter G 1/8" up to G 3/4"

Mini ball valves with the smallest space requirement and very compact dimensions are used in pipelines of smaller dimensions. Due to the design of the ball bore has a slightly reduced passage, in open position, the wing handle does not protrude beyond the housing. Suitable for neutral, gaseous and liquid media (no steam).

- Threads according to ISO 228-1
- Housing chrome plated inside and outside

Available as standard in two versions:

**421-MS = both sides female thread**

**421-MS I/A = female/male thread (cylindrical)**



Article 421-MS

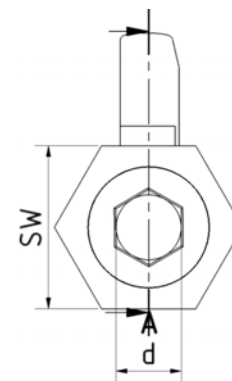
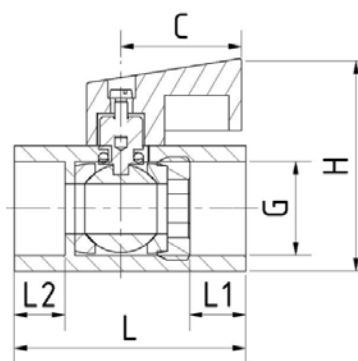
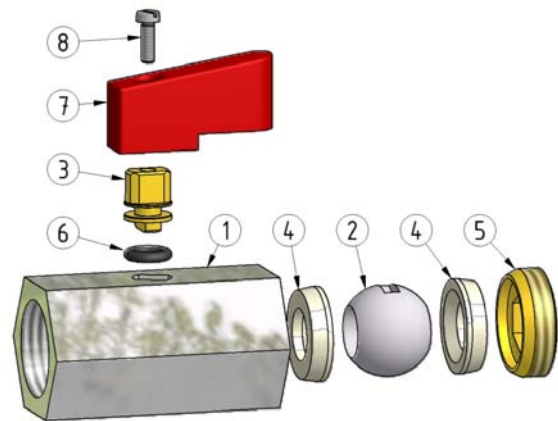


Article 421-MS I/A

	Ambient	0° C ... +40° C
	Medium	0° C ... +90° C

### Article 421-MS

Pos.	Description	Material
1	Body	Brass CW 614N chrome plated
2	Ball	Brass CW 614N chrome plated
3	Stem	Brass CW 614N chrome plated
4	Ball sealing	PTFE profile shells
5	Shutter screw	Brass CW 614N
6	O-ring	NBR
7	Handle	Nylon, red
8	Screw	Steel Fe chrome plated



Diameter	Article-No.:	L (mm)	L1 (mm)	L2 (mm)	H (mm)	C (mm)	d (mm)	SW (mm)	Pressure rating max (bar)	Weight (kg)
	421-MS both sides female threads									
G 1/8"	26.3727.0.60	40	11,0	10,0	38,0	21,5	7,0	21	15	0,085
G 1/4"	26.3727.0.61	40	10,0	10,0	38,0	21,5	8,2	21	15	0,100
G 3/8"	26.3727.0.62	40	10,0	10,0	38,0	21,5	8,0	21	15	0,117
G 1/2"	26.3727.0.63	46	10,5	10,5	42,0	21,5	10,0	25	15	0,136
G 3/4"	26.3727.0.65	54	12,0	14,5	46,9	22,0	13,5	30	15	0,195

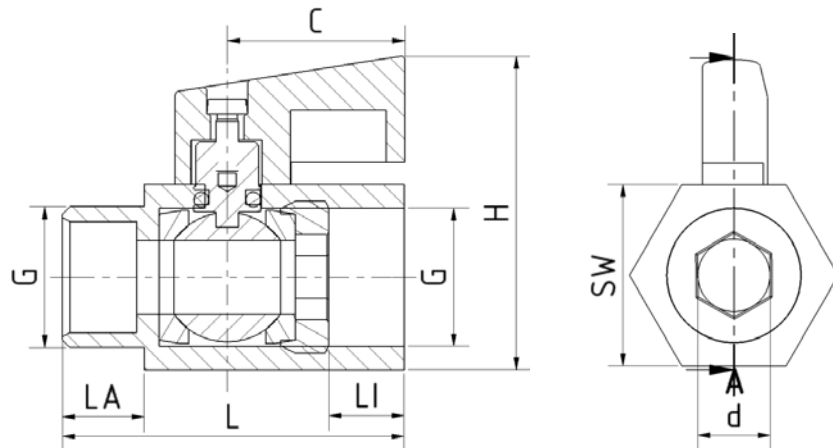
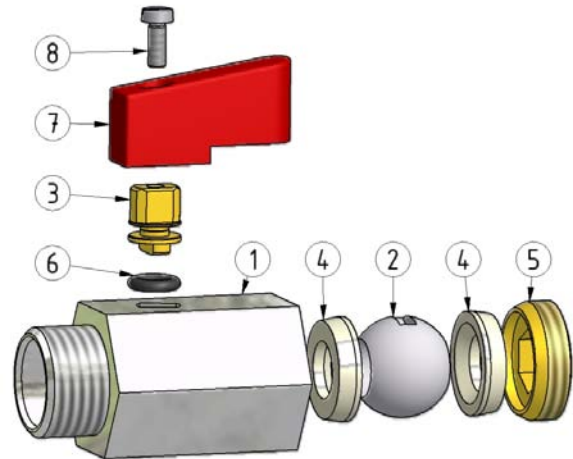
421-MS\_421\_MS\_I\_A\_2021\_ENG\_Rev. 01

## 2-way mini ball valves, article 421-MS and article 421-MS I/A

Diameter G 1/8" up to G 3/4"

### Article 421-MS I/A

Pos.	Description	Material
1	Body	Brass CW 614N chrome plated
2	Ball	Brass CW 614N chrome plated
3	Stem	Brass CW 614N chrome plated
4	Ball sealing	PTFE profile shells
5	Shutter screw	Brass CW 614N
6	O-ring	NBR
7	Handle	Nylon, red
8	Screw	Steel Fe chrome plated



Diameter	Article-No.:	L (mm)	LI (mm)	LA (mm)	H (mm)	C (mm)	d (mm)	SW (mm)	Pressure rating max (bar)	Weight (kg)
	421-MS I/A female / male thread									
G 1/8"	26.3724.0.60	39	10,0	9,0	36,9	22	5,0	20	15	0,068
G 1/4"	26.3724.0.61	39	10,2	9,2	37,2	22	8,0	20	15	0,082
G 3/8"	26.3724.0.62	40	9,9	10,2	36,9	22	8,0	20	15	0,097
G 1/2"	26.3724.0.63	45	11,6	12,2	41,4	22	10,0	24	15	0,126
G 3/4"	26.3724.0.65	54	12,0	14,5	46,9	22	13,5	30	15	0,178

421-MS\_421\_MS\_I-A\_2021\_ENG\_Rev.01