

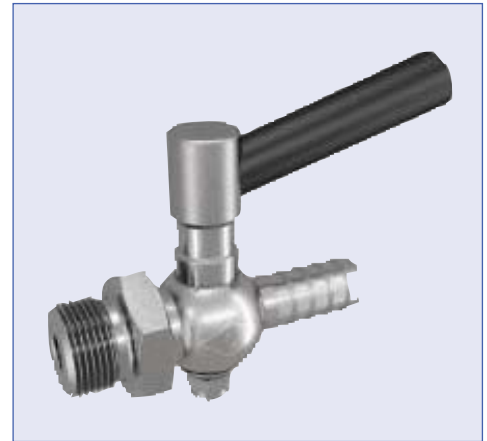
Drain cock, article 11-VA

diameter G 1/4" up to G 1/2"

Drain cock with straight hose connection. Designed for all industrial areas of application. Useable for many fluid groups. Complete made of stainless steel 316Ti (1.4571). Pure metal sealing by plug closure.

One side external threads acc. to DIN/ISO 228, metric. Other side with straight hose connection.

Sizes	Hose nozzle Ø
1/4"	9 mm hose
3/8"	11 mm hose
1/2"	13 mm hose

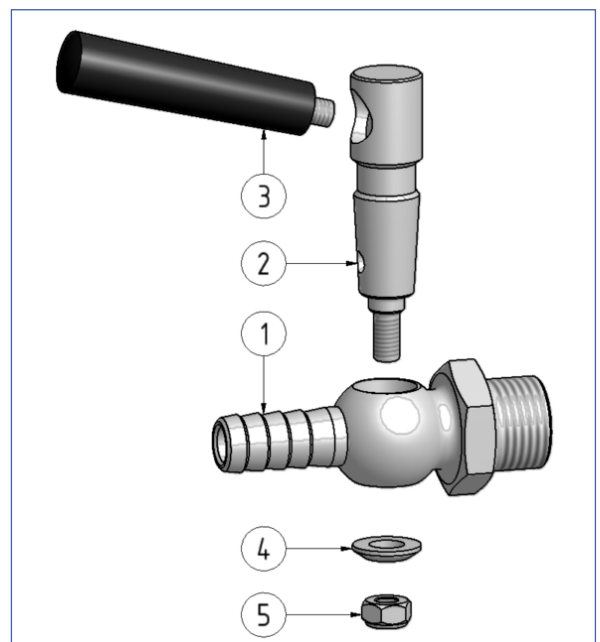
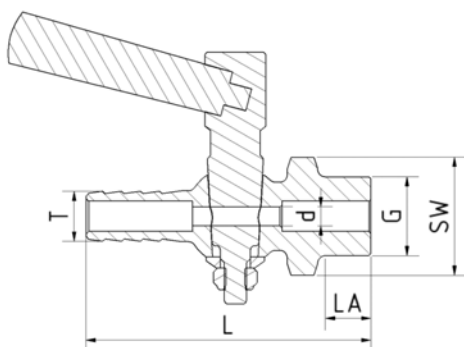


	ambient -50°C .. +130°C
	medium -20°C .. +50°C

Before risk of frost empty the drain cock and ensure that the drain cock is depressurized. Freezing of the fluid may can seriously damage the valve.

Article 11-VA

Pos.	description	material
1	body	stainless steel 316Ti (1.4571)
2	stem	stainless steel 316Ti (1.4571)
3	handle	polypropylene
4	disc	stainless steel 316Ti (1.4571)
5	hexagon nut	stainless steel A4



diameter	article-no		L (mm)	LA (mm)	SW (mm)	d (mm)	T (mm)	pressure rating (bar)	weight (kg)
	article 11-VA								
G 1/4"	06.3413.6.61		58	10	22	2,5	9,0	6	0,13
G 3/8"	06.3413.6.62		65	12	22	4,0	11,0	6	0,14
G 1/2"	06.3413.6.63		75	14	27	5,0	13,5	6	0,22

11-VA_ENG_2017_Rev. 0