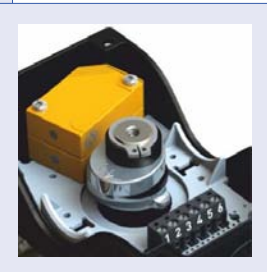
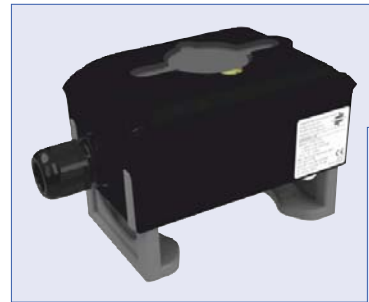


Switchbox, article 67-ES with inductive proximity switches (Ex t)



Ex t Switch
(Protection by housing)



inductive proximity switches
make IFM, type IN511A

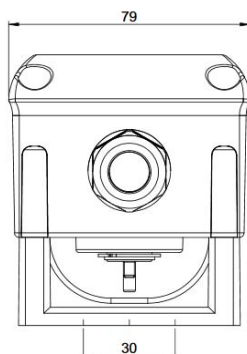
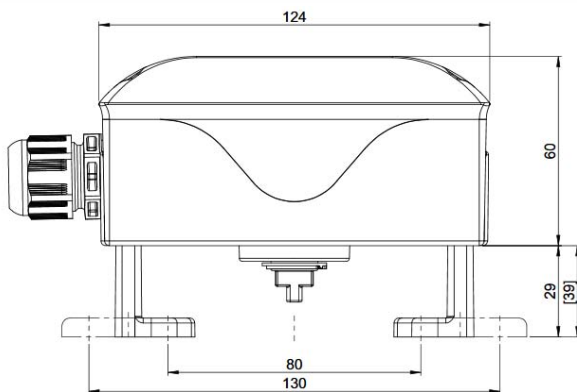
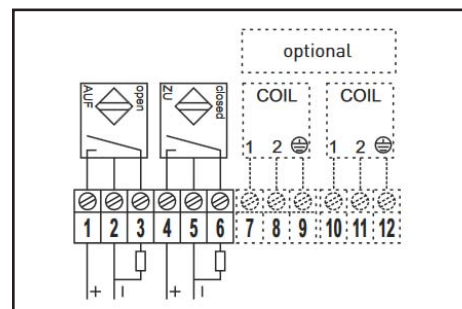
Compact and flexible limit switch box made of conductive vestamide with sight window made of transparent polycarbonate for pneumatic actuators with connection diagram in accordance with VDI / VDE 3845, or NAMUR.
With two inductive proximity switches (Ex t), **make IFM type IN511A** (N.O.) for the position indication "OPEN" and "CLOSE", wired to a 6-fold terminal block.
Lid with optical 2D on-site display.

- Voltage max. current 10 V - 36 V DC
- Frequency 1300 Hz
- Current consumption 250 mA
- ATEX Ex-protection II 2 D Ex t IIIC T80° Dc
II 3 D Ex t IIIC T80° C Db
- Ex-zone zone 21, zone 22
- Protection class IP 67
- Cable gland M20 x 1,5 black
- Cable diameter 5,5 mm - 13,0 mm
- Terminal block 6-fold up to 2,5 mm²
- Switching cam adjustable
- Temperature range -20° C up to +40° C



article-description:	order-No.:
67-ES	184.8796

Connection plan



article 67-ES

Pos.	description	material
1	housing base	Vestamide, conductive
2	sight window	Polycarbonate, transparent
3	sealings	EPDM and NBR
4	operating shaft	polyamide PA6
5	switch cams	plastic
6	mounting bracket	polyamide (PA6) + 30% glass fiber
7	terminal block	4-fold up to 2,5 mm ²
8	cable gland	M20 x 1 blue
9	screws	stainless steel A2

mounting bracket (adjustable)

- drilling pattern: 80 x 30 mm and
130 x 30 mm

- shaft height: 20 mm and
30 mm

Switchbox, article 67-ES with inductive proximity switches (Ex t)

Variants of limit switch housing



bracket and shaft stainless steel
ordern-no.: 184.8796-E



Switch housing aluminum
bracket and shaft stainless steel
order-no.: 184.8796-AL

Options for the limit switch box



large 3D display
in the lid
OPEN / CLOSED
order-no.: 184.8796-D31



M12 connector
5-pin male
order-no.: 184.8796-M12



thread connection
NPT 1/2
order-no.: 184.8796-NPT



Pressure compensation
element avoidance of
condensation water
order-no.: 184.8796-DAE

