

shut-off valve, article 68-ST and 68-VA diameter G 1/4" up to G 1/2"

High-pressure shut-off valves with adjustable gland packing for use in industrial systems in which flowing liquids or gaseous media have been shut off. This can also be done under high pressure. The direction of flow is indicated by an arrow.

Please observe the pressure reduction from temperatures over +50 °C !

☞ **Both sides with female thread acc. to ISO 228-1 (DIN 259), cylindrical**

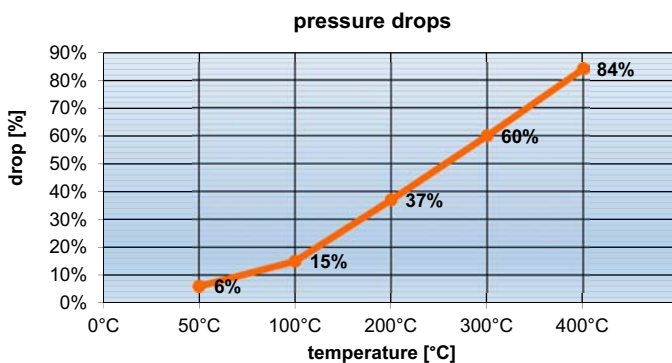
There are two variants available: one in steel version (body outside burnished), the other in entire stainless steel version. With special packing useable up to temperatures of +550 °C.



	ambient		
	68-ST	-20°C ... +120°C	
	68-VA	-20°C ... +120°C	
	medium		
	68-ST	-20°C ... +400°C	
	68-VA	-40°C ... +250°C	(special packing up to +550 °C)

diagram pressure drops

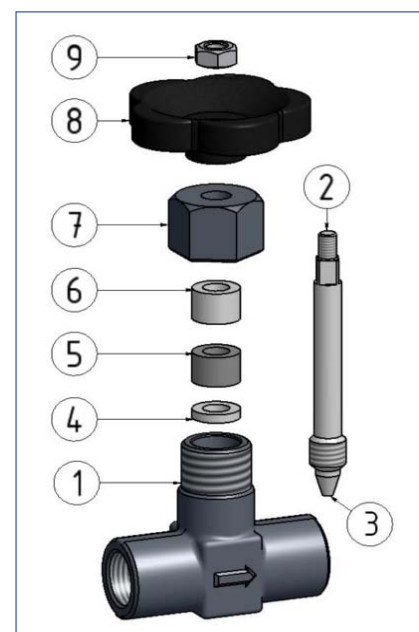
Before risk of frost empty the valve and ensure that the valve is depressurized. Freezing of the fluid may can seriously damage the valve.



temperature	pressure drop %	max. pressure article 68-ST	max. pressure article 68-VA
50° C	6%	598,5 bar	598,5 bar
100° C	15%	535,5 bar	535,5 bar
200° C	37%	396,9 bar	396,9 bar
300° C	60%	252,0 bar	./.
400° C	84%	100,8 bar	./.

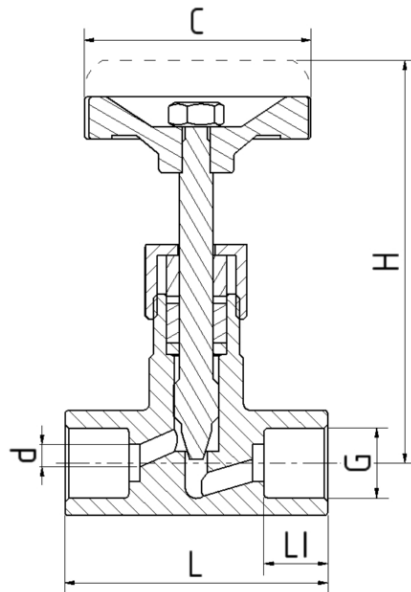
Article 68

Pos.	description	68-ST material	68-VA material
1	body	steel 1.0460	stainless steel 1.4571
2	stem	stainless steel 1.4104	stainless steel 1.4571
3	regulating disc	stainless steel 1.4104	stainless steel 1.4571
4	lower gland	steel (9 S 20 K)	stainless steel 1.4571
5	gland packing	graphite	Teflon
6	upper gland	steel 1.0711 (9 S 20 K)	stainless steel 1.4571
7	union nut	steel 1.0711 (9 S 20 K)	stainless steel 1.4571
8	hand wheel	hard pressed plastic, black	hard pressed plastic, black
9	hand wheel nut		



shut-off valve, article 68-ST and 68-VA

diameter G 1/4" up to G 1/2"



diameter	article-no.:		L (mm)	H (mm)	LI (mm)	C (mm)	d (mm)	pressure rating (bar)	Kv-value [m ³ /h]	weight (kg)
	68-ST steel 1.0460	68-VA 1.4571								
G 1/4"	06.1018.4.61	06.1018.6.61	70	100	8	63	4	630	0,33	0,52
G 3/8"	-	06.1018.6.62	70	100	12	63	5	630	0,42	0,50
G 1/2"	06.1018.4.63	06.1018.6.63	70	100	14	63	6	630	0,53	0,47

68-ST, 68-VA_ENG_2017_Rev. 0