

NAMUR Solenoid Valve, article 21-MV

Solenoid valve in monostable design with spring ventilation. The reversing plate allows the use of double acting pneumatic actuators as well as single acting pneumatic actuators. The solenoid valve has the NAMUR interface and can directly be flanged to the pneumatic actuator. Supply voltage solenoid valve coil selectable with 24 V DC or 230 V AC.

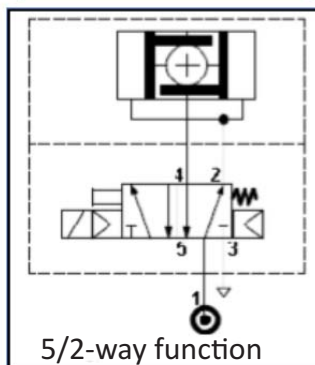
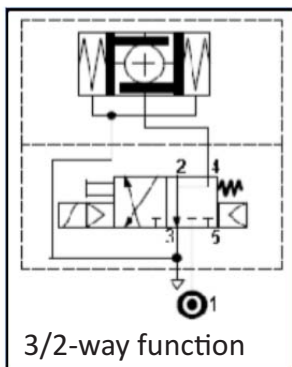
5/2-way operation = double acting pneumatic actuator
3/2-way operation = single acting pneumatic actuator

The control air should be clean, oiled or unlubricated and should correspond to the quality level 5 according to ISO 8573-1.



- Piston slide solenoid valve, indirectly controlled
- Device plug with LED display, cable gland PG 9 (5 - 8 mm)
- Outlet silencer by default
- Returned by mechanical spring
- Protection class IP 65 according to DIN 40050
- Standard with manual override when trouble
- Housing Aluminum anodised
- Piston stainless steel, seals NBR

connection	G 1/4"
size	5,5 mm
working pressure	1,5 ... 8,0 bar
temperature range	-5° C up to +60° C
voltage	24 V DC 230 V AC
power	3,0 Watt
nominal flow	850 l/min.



pneumatic actuator **-double acting-**

design	order-number
24 V DC 5/2 way	179.8613
230 V AC 5/2 way	179.8612

pneumatic actuator **-single acting-**

design	order-number
24 V DC 3/2 way	179.8613
230 V AC 3/2 way	179.8612

Connection assignment

