

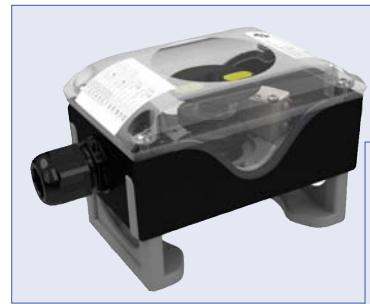
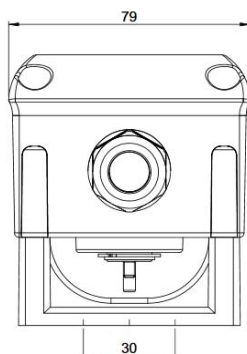
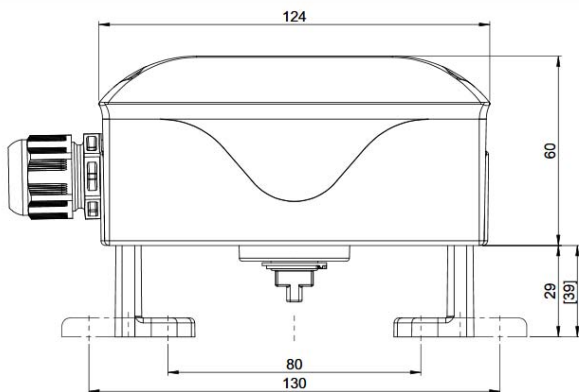
Switchboxes, article 42-ES with mechanical switches

Compact and flexible polyamide limit switch box with transparent polycarbonate cover for pneumatic actuators with connection interface according to VDI / VDE 3845, or NAMUR.

With two mechanical change-over switches (SPDT), Cherry type D44X for the position indication "OPEN" and "CLOSE", wired to a 6-fold terminal block.

Body cover with 2D in-site display.

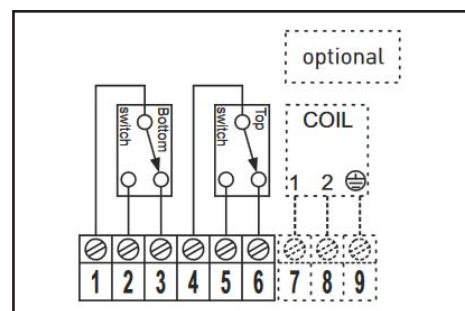
- Voltage up to max 250 V AC / DC
- max current 10.0 A (250 V AC)
2,5 A (24 V DC)
- Protection class IP 67
- Cable gland M20 x 1,5 black
- Cable diameter 6,0 mm - 12,0 mm
- Terminal block 6-fold up to 2,5 mm²
- Switching cam adjustable
- Temperature range -25° C up to +80° C
- SIL-Level 1 - 3
- Contact material silver



technical switch
Fabr. Cherry, type D44X

article-description:	order-No.:
42-ES	184.8712

Connection plan



article 42-ES

Pos.	description	material
1	housing base	polyamide PA6
2	housing cover	polycarbonate, transparent
3	sealings	EPDM and NBR
4	operating shaft	polyamide PA6
5	switch cams	plastic
6	mounting bracket	polyamide (PA6) + 30% glass fiber
7	terminal block	6-fold up to 2,5 mm ²
8	cable gland	M20 x 1
9	screws	stainless steel A2

mounting bracket (adjustable)

- drilling pattern: 80 x 30 mm or
130 x 30 mm
- shaft height 20,0 mm or
30,0 mm

Switchboxes, article 42-ES with mechanical switches

Variants of limit switch housing



bracket and shaft stainless steel
order-no.: 184.8712-E



Switch housing aluminum
bracket and shaft stainless steel
order-no.: 184.8712-AL

Options for the limit switch box



Solenoid valve connection
1 spool

order-no.: 184.8712-MA



Large 3D display
in the lid
OPEN / CLOSED

order-no.: 184.8712-D31



M12 connector
5-pin male

order-no.: 184.8712-M12



thread connection
NPT 1/2

order-no.: 184.8712-NPT



Pressure compensation
element avoidance of
condensation water

order-no.: 184.8712-DAE

