

2-way ball valves series "Slim Line"

Article 415-MS G 1/4" up to G 4"

Article 415-MS I/A G 1/4" up to G 2"



Ball valve with threads, full bore, for general, simple industrial use. Suitable for neutral gaseous and liquid media (no steam).

- thread ends according to ISO 228-1 (BSP)
- body outside nickel-plated

Standard available in two designs:

- both sides female threads
- female-/male thread (cylindrical)

Optional: up to size G 1" also optionally operate by a T-handle

	Ambient	-10° C ... +60°C
	Medium	-20° C ... +150° C



Article 415-MS



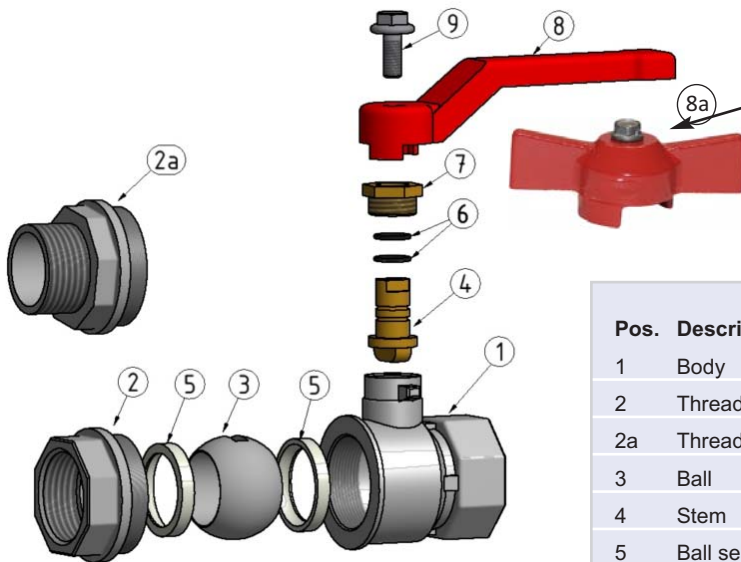
Article 415-MS/FG



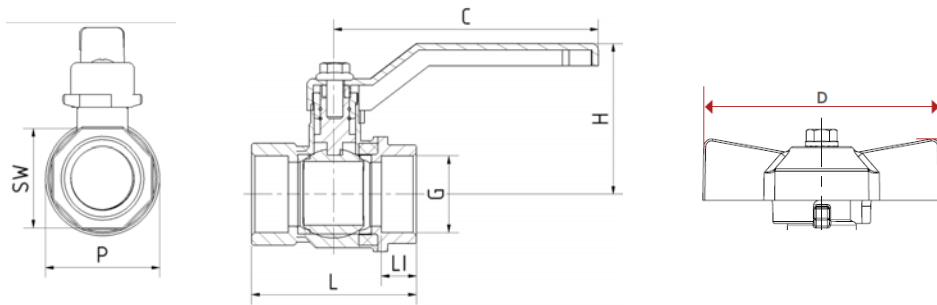
Article 415-MS I/A



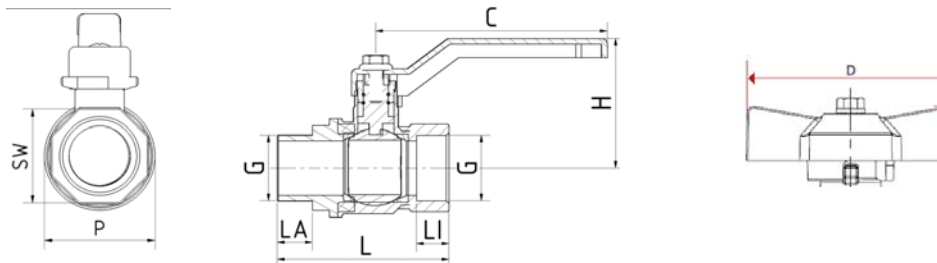
Article 415-MS I/A-FG



Pos.	Description	Material
1	Body	Brass CW 617N nickel-plated
2	Threaded ends	Brass CW 617N nickel-plated
2a	Threaded ends (I/A)	Brass CW 617N nickel-plated
3	Ball	Brass CW 617N chrome plated
4	Stem	Brass CW 614N
5	Ball seal	PTFE profile shells
6	Stem seal	2 x O-Ring VITON / NBR
7	Pressure screw	Brass
8	Lever	Steel Fe.P.04 zinc plated, red coated
8a	T-handle	Steel Fe.P.04 zinc plated, red coated
9	Lever screw	Steel Fe CB4 zinc plated



Diameter	Article-no.:		Dimensions / Weights								
	both sides female thread		L (mm)	LI (mm)	H (mm)	C (mm)	SW (mm)	P (mm)	D (mm)	Pressure rating max (bar)	Weight (kg)
	Lever	T-Handle									
G 1/4"	26.3965.0.61	26.3965.0.61-FG	44,4	10	37,0	80,0	23,5	23,5	47,0	50	0,14
G 3/8"	26.3965.0.62	26.3965.0.62-FG	44,4	10	37,0	80,0	24,0	24,0	47,0	50	0,14
G 1/2"	26.3962.0.63	26.3962.0.63-FG	48,0	12	40,0	80,0	29,0	29,0	47,0	30	0,16
G 3/4"	26.3962.0.65	26.3962.0.65-FG	53,0	12	54,0	113,0	36,0	36,0	62,0	30	0,25
G 1"	26.3962.0.67	26.3962.0.67-FG	66,0	15	57,0	113,0	43,0	43,0	62,0	30	0,43
G 1 1/4"	26.3961.0.68	26.3961.0.68-FG	76,0	16	73,0	138,0	53,0	53,0	70,0	25	0,63
G 1 1/2"	26.3961.0.69		88,0	18	78,0	138,0	63,0	63,0		25	0,96
G 2"	26.3960.0.71		103,0	19	94,0	158,0	79,0	79,0		25	1,53
G 2 1/2"	26.3960.0.72		134,5	24	115,0	197,0	109,0	109,0		18	2,95
G 3"	26.3960.0.73		157,0	26	133,0	250,0	131,0	131,0		16	5,60
G 4"	26.3960.0.75		190,0	30	149,0	250,0	164,0	164,0		14	8,20



Diameter	Article-no.:		Dimensions / Weights									
	female / male thread		L (mm)	LA (mm)	LI (mm)	H (mm)	C (mm)	SW (mm)	P (mm)	D (mm)	Pressure rating max (bar)	Weight (kg)
	Lever	T-Handle										
G 1/4"	26.3952.0.61	26.3952.0.61-FG	54,0	10,5	10	37,0	80,0	23,5	23,5	47,0	50	0,14
G 3/8"	26.3952.0.62	26.3952.0.62-FG	54,0	10,5	10	37,0	80,0	24,0	24,0	47,0	50	0,14
G 1/2"	26.3949.0.63	26.3949.0.63-FG	58,0	11,5	12	40,0	80,0	29,0	29,0	47,0	30	0,16
G 3/4"	26.3949.0.65	26.3949.0.65-FG	62,5	12,5	12	54,0	113,0	36,0	36,0	62,0	30	0,25
G 1"	26.3949.0.67	26.3949.0.67-FG	75,0	14,5	15	57,0	113,0	43,0	43,0	62,0	30	0,43
G 1 1/4"	26.3948.0.68	26.3948.0.68-FG	87,5	17,0	16	73,0	138,0	53,0	53,0	70,0	25	0,63
G 1 1/2"	26.3948.0.69		100,5	19,0	18	78,0	138,0	63,0	63,0		25	0,96
G 2"	26.3948.0.71		115,5	21,0	19	94,0	158,0	79,0	79,0		25	1,53

Diameter	1/4"	3/8"	1/2"	3/4"	1"	1 1/4"	1 1/2"	2"	2 1/2"	3"	4"
Ball bore ϕ	10	10	14	18,5	23,5	30	37	47	65	80	100
KV-Value	3,45	5,00	14,65	23,46	38,67	56,07	86,60	160,5	348	390	725

415-MS_415_MS_I-A_2021_ENG_Rev.0