

Lug type butterfly valve, Article 835-GGG with electrical actuator

Diameter DN 50 (2") up to DN 300 (12")

Soft seated lug butterfly valve for general, industrial applications. Compact, low weight design and easy mounting between and at DIN flanges thanks the centering alignment lugs. Disc centric in body, 100% both sides bi-directional tight shutt off. The split shaft allows favorable flow design with low pressure loss and a high KV-value.

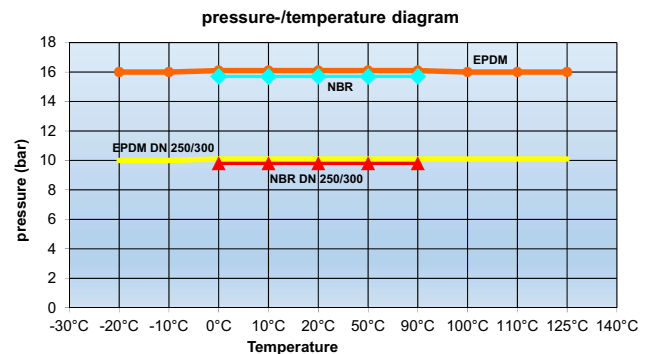
Installation between/at flanges according to DIN EN 1092-1, form B PN 10 / PN 16

Useable as open / close valve as well as for control or dosing of the flow rate.

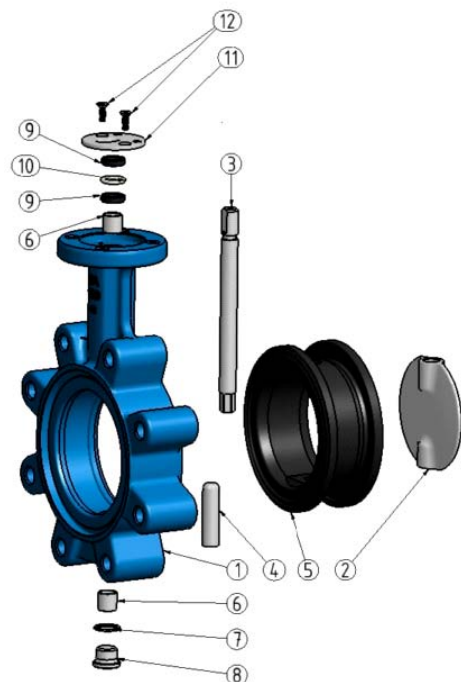


	PED 97/23/EC
	ambient -15°C ... +60°C
	medium with liner EPDM -20° C up to +110° C liner NBR 0° C up to + 90° C

- Face to face dimension: EN 558/20, DIN 3202 K-1, API 609
- Design pressure: 16,0 bar DN 50 up to DN 200
10,0 bar DN 250 up to DN 300
- Elastomer rubber liner exchangeable
- Housing outside powder coating min. 250 µm, Ral 5017
- Marking EN 19, MSS SP-25
- Integrated flange seal **-no additional sealing required-**
- Body with long neck for insulation purposes and dew point barrier as condensation water protection
- Anti-blow out actuator shaft in PTFE bearing bushings guided, low operating moments, no slip stick effect
- Top flange and shaft according to ISO 5211



- | | |
|-----------------------|--------------------------------------|
| 1 Body | Ductile cast iron ASTM A536 60-40-18 |
| 2 Disc | Stainless steel ASTM A351, CF8M |
| 3 Upper shaft | Stainless steel ASTM A276, Gr. 420 |
| 4 Lower shaft | Stainless steel ASTM A276, Gr. 420 |
| 5 Elastomer liner | optionally EPDM or NBR |
| 6 Bearing | Steel / PTFE |
| 7 Sealing ring | Copper |
| 8 Screw | POM |
| 9 Pressure ring | Hard PVC |
| 10 O-Ring | EPDM or NBR |
| 11 Shaft safety | Polyamide PA6 |
| 12 Countersunk screws | Stainless steel A2 |



Lug type butterfly valve, Article 835-GGG with electrical actuator

Diameter DN 50 (2") up to DN 300 (12")

Butterfly valve and electric actuator, each with standardized interface according to ISO 5211, enable direct, backlash-free assembly.

Modern design and compact construction characterize this series of electric part-turn actuators. The simple but robust and reliable design guarantees high availability in daily industrial use. The actuators are maintenance-free and completely pre-wired internally. The self-locking gear with high-performance grease filling guarantees a long service life. The unit is delivered ready for connection, adjusted and tested.

Depending on the process requirements, there are two versions to choose from:

- a) OPEN / CLOSED operation class A according to EN 15714-2
- b) Jog mode or positioning operation, class B (S4 - 30%, motor power up to 120 starts per hour at peak load) according to EN 15714-2.

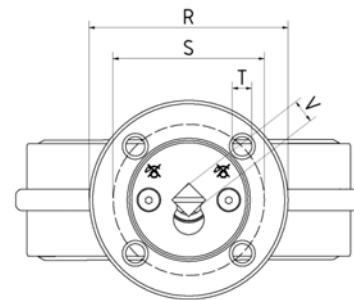
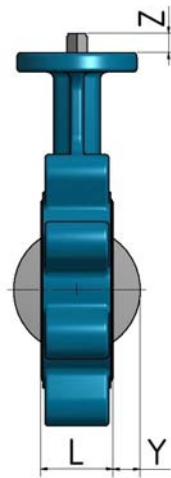
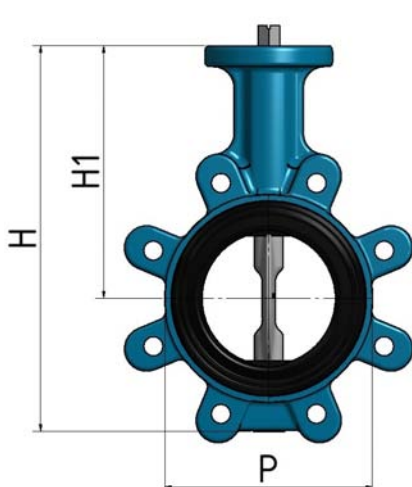
Further information on the electric drives can be found in the individual data sheets.



DN 50 up to DN 100



DN 125 up to DN 300



Diameter	P (mm)	L (mm)	Y (mm)	H (mm)	H1 (mm)	Z (mm)	R (mm)	S (mm)	T (mm)	V (mm)	ISO 5211 Mounting flange	Flange connection	Weight (kg)
DN 50	92	43	3,5	188	125	16	67	50	7	9	F05	PN 10/16	4,0
DN 65	115	46	9,0	226	150	16	67	50	7	9	F05	PN 10/16	4,8
DN 80	130	46	16,0	240	157	16	67	50	7	9	F05	PN 10/16	6,3
DN 100	148	52	23,0	278	182	19	92	70	9	11	F07	PN 10/16	9,3
DN 125	181	56	33,0	314	201	25	92	70	9	14	F07	PN 10/16	11,7
DN 150	206	56	46,0	340	214	25	92	70	9	14	F07	PN 10/16	12,9
DN 200	261	60	69,0	400	245	30	92	70	9	17	F07	PN 10/16	16,9
DN 250	316	68	90,0	478	283	39	130	102	11	22	F10	PN 10	27,7
DN 300	372	78	110,0	528	308	39	130	102	11	22	F10	PN 10	38,0

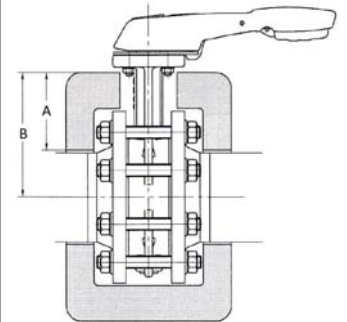
835-GGG_AQL-AQ_ENG_2021_Rev. 0

Lug type butterfly valve, Article 835-GGG with electrical actuator

Diameter DN 50 (2") up to DN 300 (12")

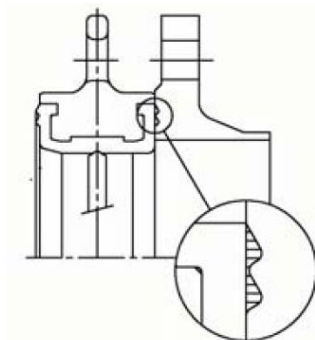
Flow characteristics / Operating torques Nm (fluid: water) / Insulation

Diameter	Flow characteristics			Operation torques Nm			Diameter	Insulation according to the heating and installation system ordinance IV (12/94)	
	KV	CV	Zeta	up to 6,0 bar	up to 10,0 bar	up to 16,0 bar		A	B
DN 50 (2")	91	106	1,18	12	13	13	DN 50 (2")	50	107,5
DN 65 (2 1/2")	206	239	0,66	18	18	20	DN 65 (2 1/2")	65	125,0
DN 80 (3")	436	506	0,34	25	26	28	DN 80 (3")	80	140,0
DN 100 (4")	660	766	0,36	39	41	44	DN 100 (4")	100	160,0
DN 125 (5")	1300	1508	0,22	65	69	75	DN 125 (5")	100	175,0
DN 150 (6")	2100	2436	0,18	91	97	110	DN 150 (6")	100	192,5
DN 200 (8")	4100	4756	0,15	180	190	210	DN 200 (8")	100	220,0
DN 250 (10")	6090	7065	0,17	275	315		DN 250 (10")	100	252,5
DN 300 (12")	9570	11100	0,14	390	440		DN 300 (12")	100	280,0



Remark: when using non-lubricating media (e.g., air / gas) the torque increases by 40%

Operating-variants:



Liner with integrated sealing strip, no additional flange gaskets required

Lever



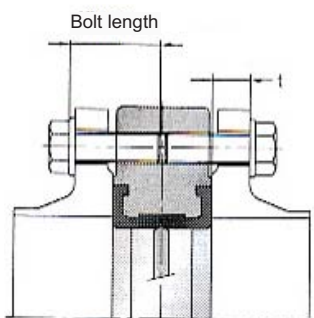
Worm gear



Pneumatic actuator



Bolt length for mounting between DIN flanges



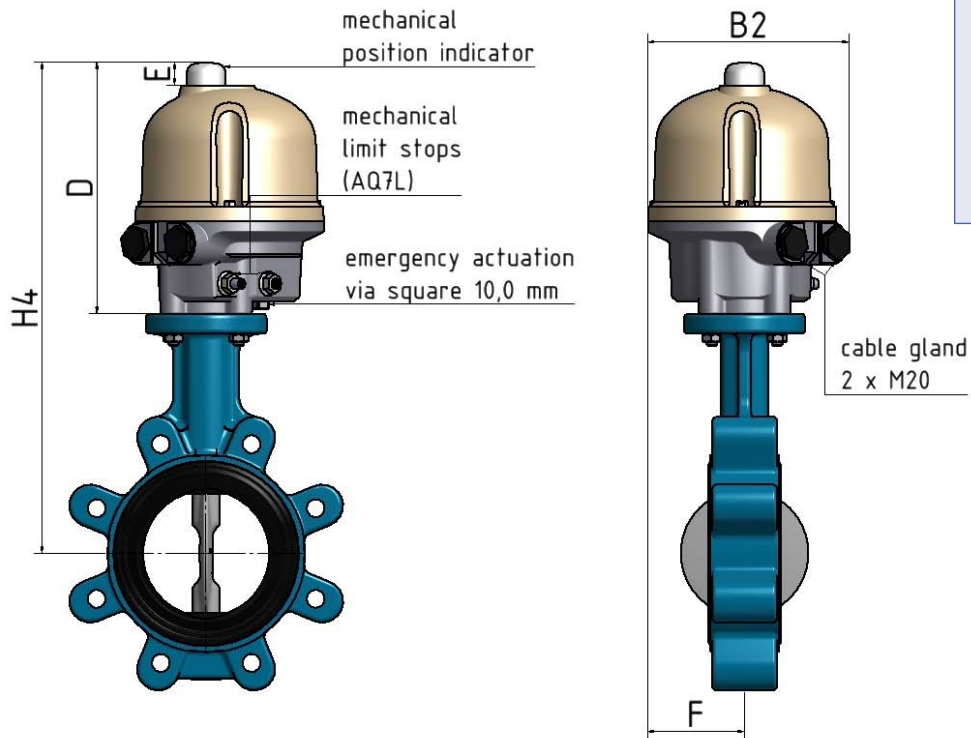
Diameter	pressure range PN 10			pressure range PN 16		
	quantity / size screws	Flange thickness "t"	Bolt length	quantity / size screws	Flange thickness "t"	Bolt length
DN 50 (2")	4 + 4 M16	18	35	4 + 4 M16	18	35
DN 65 (2 1/2")	4 + 4* M16	18	35	4 + 4* M16	18	35
DN 80 (3")	8 + 8 M16	20	40	8 + 8 M16	20	40
DN 100 (4")	8 + 8 M16	20	40	8 + 8 M16	20	40
DN 125 (5")	8 + 8 M16	22	45	8 + 8 M16	22	45
DN 150 (6")	8 + 8 M20	22	45	8 + 8 M20	22	45
DN 200 (8")	8 + 8 M20	24	50	12 + 12 M20	24	50
DN 250 (10")	12 + 12 M20	26	55			
DN 300 (12")	12 + 12 M20	26	60			

***Remark.:** On request also with 8 + 8 drillings according to EN 1092

835-GGG_AQL-AQ_ENG_2021_Rev. 0

Lug type butterfly valve, Article 835-GGG with electrical actuator

Diameter DN 50 (2") up to DN 100 (4")

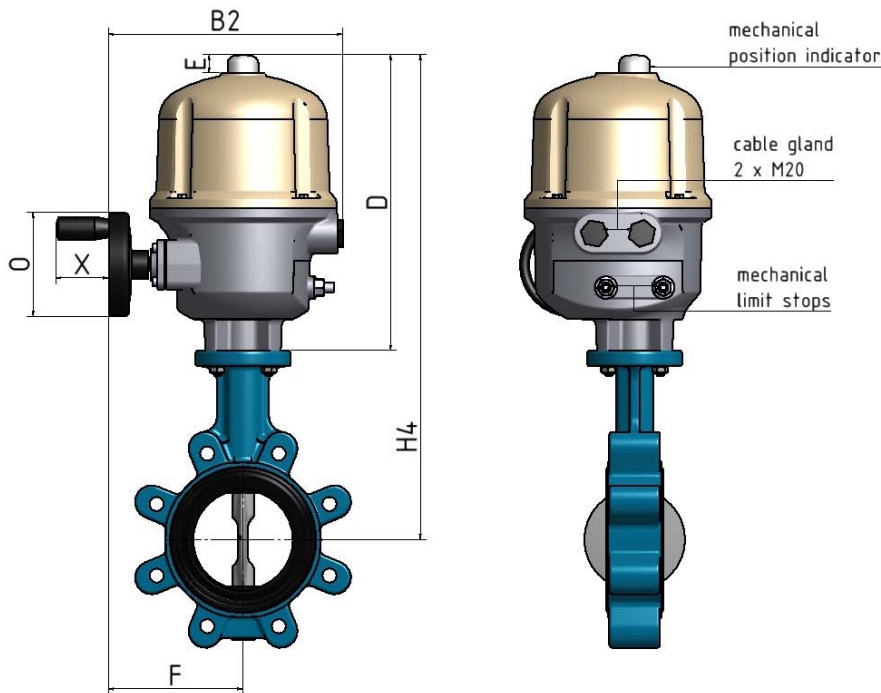


Diameter	Article-numbers		Voltage	H4 (mm)	D (mm)	E (mm)	F (mm)	B2 (mm)	Weight (kg)
	EPDM-Liner	NBR-Liner							
DN 50	281.2617.3.21-FW	281.2618.3.21-FW							
AQ3L	171.8093.3L.15	171.8093.3L.15	230 V	300	175	17,5	89,5	150	6,5
	171.8092.3L.15	171.8092.3L.15	24 V						
DN 65	281.2617.3.24-FW	281.2618.3.24-FW							
AQ3L	171.8093.3L.15	171.8093.3L.15	230 V	325	175	17,5	89,5	150	7,3
	171.8092.3L.15	171.8092.3L.15	24 V						
DN 80	281.2617.3.25-FW	281.2618.3.25-FW							
AQ7L	171.8093.7L.15	171.8093.7L.15	230 V	352	195	17,5	89,5	150	9,8
	171.8092.7L.15	171.8092.7L.15	24 V						
DN 100	281.2617.3.27-FW	281.2618.3.27-FW							
AQ7L	171.8093.7L.15	171.8093.7L.15	230 V	377	195	17,5	89,5	150	12,8
	171.8092.7L.15	171.8092.7L.15	24 V						

835-GGG_AQL-AQ_ENG_2021_Rev.0

Lug type butterfly valve, Article 835-GGG with electrical actuator

Diameter DN 125 (5") up to DN 300 (12")



DN 125 up to DN 300

Diameter	Article-numbers		Voltage	F (mm)	O (mm)	X (mm)	E (mm)	B2 (mm)	D (mm)	H4 (mm)	Weight (kg)
	EPDM-Liner	NBR-Liner									
DN 125	281.2617.3.28-FW	281.2618.3.28-FW									
AQ10	171.8089.10.25	171.8089.10.25	230 V	107,5	100	50,5	24	185	290	491	18,7
	171.8088.10.21	171.8088.10.21	24 V								
	171.8090.10.25	171.8090.10.25	400 V								
DN 150	281.2617.3.29-FW	281.2618.3.29-FW									
AQ15	171.8089.15.30	171.8089.15.30	230 V	107,5	100	50,5	24	185	290	504	19,9
	171.8088.15.25	171.8088.15.25	24 V								
	171.8090.15.30	171.8090.15.30	400 V								
DN 200	281.2617.3.31-FW	281.2618.3.31-FW									
AQ25	171.8089.25.30	171.8089.25.30	230 V	177,5	120	63,5	24	225	320	565	29,9
	171.8088.25.25	171.8088.25.25	24 V								
	171.8090.25.30	171.8090.25.30	400 V								
DN 250	281.2617.3.33-FW	281.2618.3.33-FW									
AQ50	171.8089.50.35	171.8089.50.35	230 V	230,0	160	80,0	24	360	401	684	42,7
	171.8090.50.35	171.8090.50.35	400 V								
DN 300	281.2617.3.34-FW	281.2618.3.34-FW									
AQ50	171.8089.50.35	171.8089.50.35	230 V	230,0	160	80,0	24	360	401	709	53,0
	171.8090.50.35	171.8090.50.35	400 V								

835-GGG_AQL-AQ_ENG_2021_Rev. 0